



HWC GUIDELINE

PREPARATION OF WATERMAIN FOR DRILLING

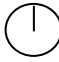

The Plumber applying for drilling must supply correct size ball valve and prepare watermain as per guidelines below. Preparation not compliant with guidelines will require rebooking at a later date and an additional fee may be applicable.

1. Expose Main and Prepare Drilling Position

- a. Expose main with a clearance of 100mm below main (excavation to satisfy *Safe Work Australia Code of Practice – Excavation Work*).

Top or side drilling position is determined by available cover above watermain as per *Table 1 - all drillings are to be positioned on top of main unless minimum cover cannot be achieved.*

Table 1



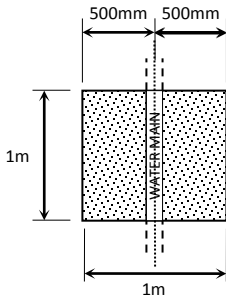
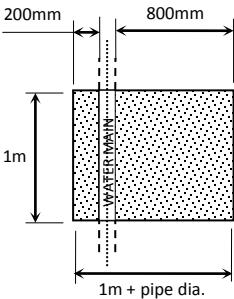
Location of Main	Drilling Position & Minimum Cover to Watermain (mm)	
	Top (12 o'clock) 	Side * (3/9 o'clock) 
Nature strip/Footpath	600	450
Sealed road	750	600
Unsealed road	900	750

* If minimum cover is not available for side position, drilling is to be tapped at 3 or 9 o'clock position and service directed down additional depth to achieve required cover.

Excavation must expose watermain and provide access suitable for drilling position as per *Table 2*.

Note: all side drillings must provide a minimum of 800mm clearance on service side.

Table 2

Drilling Position on Watermain	Top (12 o'clock) 	Side (3/9 o'clock) 
Location of Watermain in Excavation	500mm – 500mm (from center of pipe)  TOP VIEW	*200mm – 800mm (from outside of pipe)  TOP VIEW * 200mm space on blind side of drilling

- b. If there are other services (gas main, Telstra etc) obstructing drilling position, then as a last resort, drilling may be positioned at an angle *between 12 and 3/9 o'clock* – contact *Technical Services (02) 49 799 712* prior to drilling in this instance.
- c. Ensure minimum spacing of 600mm to existing drillings or collars.

2. Clean Pipe and Clear Excavation Space

- a. Clean all rust and debris from main and **provide 400mm clean pipe length**.
- b. Ensure watermain is not submerged in water.

3. Back Fill and Restore

- a. Ensure trace wire and plastic sleeving on watermain (where applicable) is restored to original position and restoration is completed to state prior to excavation.

4. Laying of Water Service

- a. Ensure trace wire laid for poly service.
- b. Ensure kerb above watermain marked with “w”.