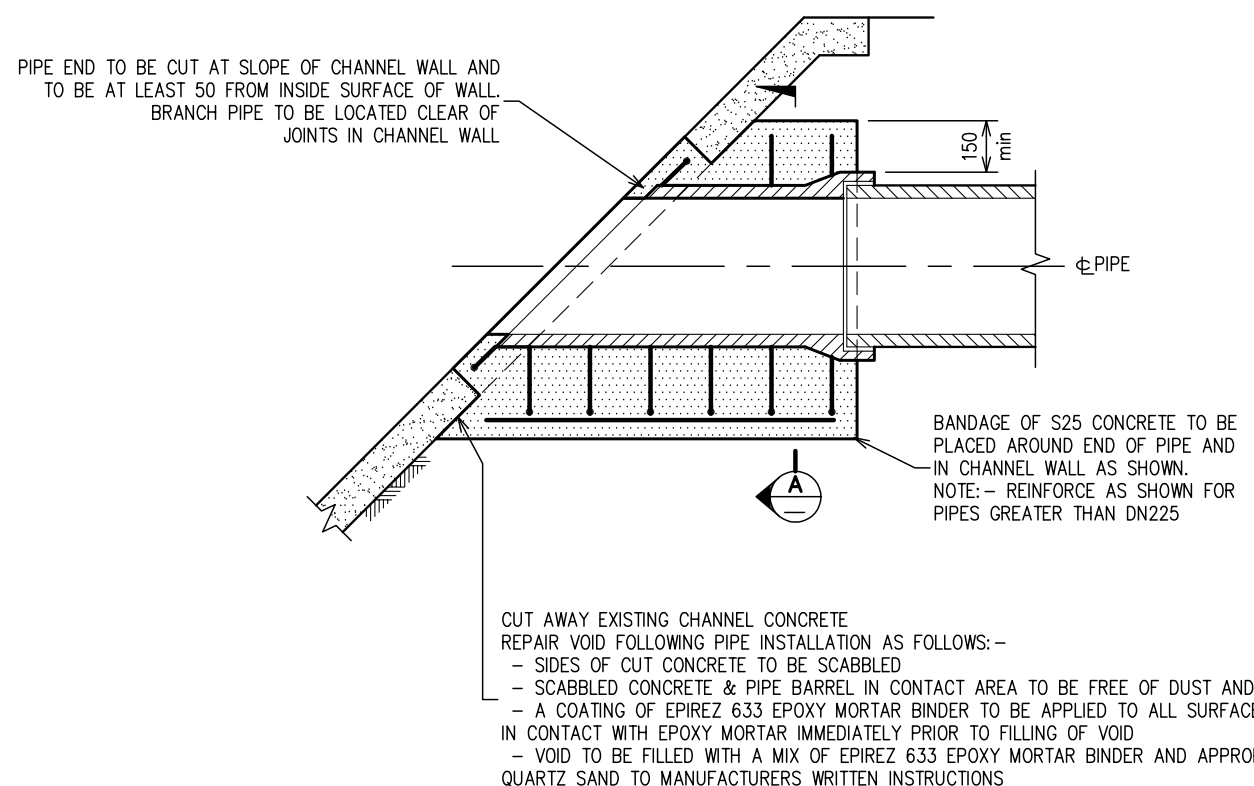
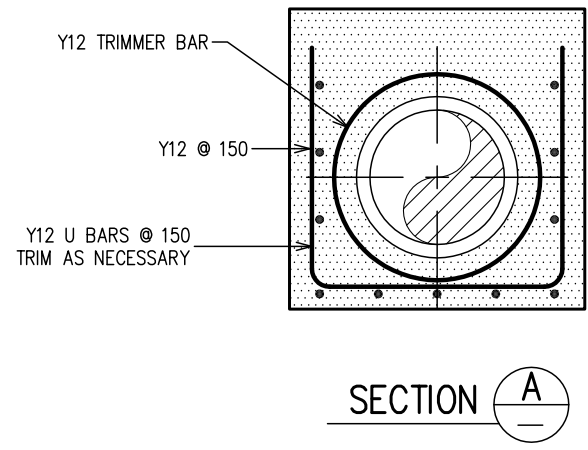


**PLAN ON CENTRELINE OF BRANCH PIPE**



**ELEVATION ON CENTRELINE OF BRANCH PIPE**



**NOTES:**

1. APPROVAL TO CONNECT TO A HUNTER WATER CORPORATION STORMWATER ASSET IS CONDITIONAL ON THE RELEVANT LOCAL COUNCIL REVIEWING AND APPROVING INTERNAL STORMWATER DRAINAGE DESIGNS. SUCH APPROVAL MUST BE EVIDENCED TO HUNTER WATER PRIOR TO GRANTING APPROVAL TO CONNECT TO HWC STORMWATER SYSTEMS.
2. HYDRAULIC DISTURBANCE AND SMOOTH INTEGRATION OF FLOW IN THE STORMWATER SYSTEM ARE TO BE CONSIDERED FOR ALL CONNECTIONS. IN GENERAL ALL CONNECTIONS SHOULD BE MADE AT A MAXIMUM ENTRANCE OF 45° TO THE MAIN CHANNEL FLOW.
3. THIS STANDARD CONSTRUCTION PRACTICE DRAWING APPLIES ONLY TO CONNECTIONS WHERE THE INCOMING PIPE IS NOT GREATER THAN 300mm IN DIAMETER

REV. N°	REVISION	APPROVED	DATE
© COPYRIGHT HUNTER WATER CORPORATION LIMITED. MANAGER CEC CONSULTING ENGINEERS		MANAGER PLANNING AND DEVELOPMENT	

**HUNTER WATER CORPORATION**  
A.C.N. 053 102 837

STANDARD CONSTRUCTION PRACTICE  
**DRAINAGE STANDARD**

**STANDARD METHOD FOR PIPE CONNECTIONS TO TRAPEZOIDAL STORMWATER CHANNEL**

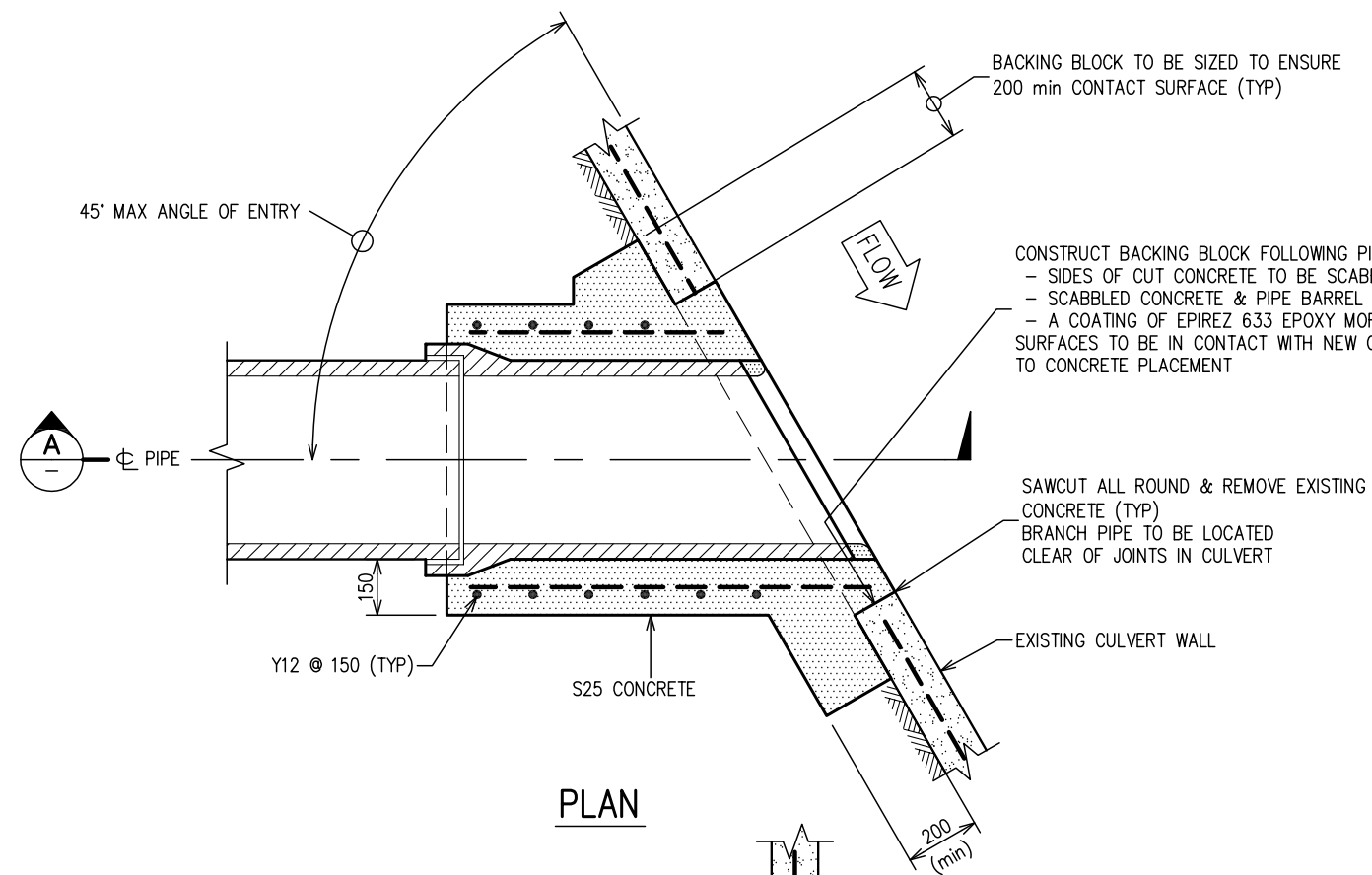
CAD FILE NAME: DCP-200

HWCS

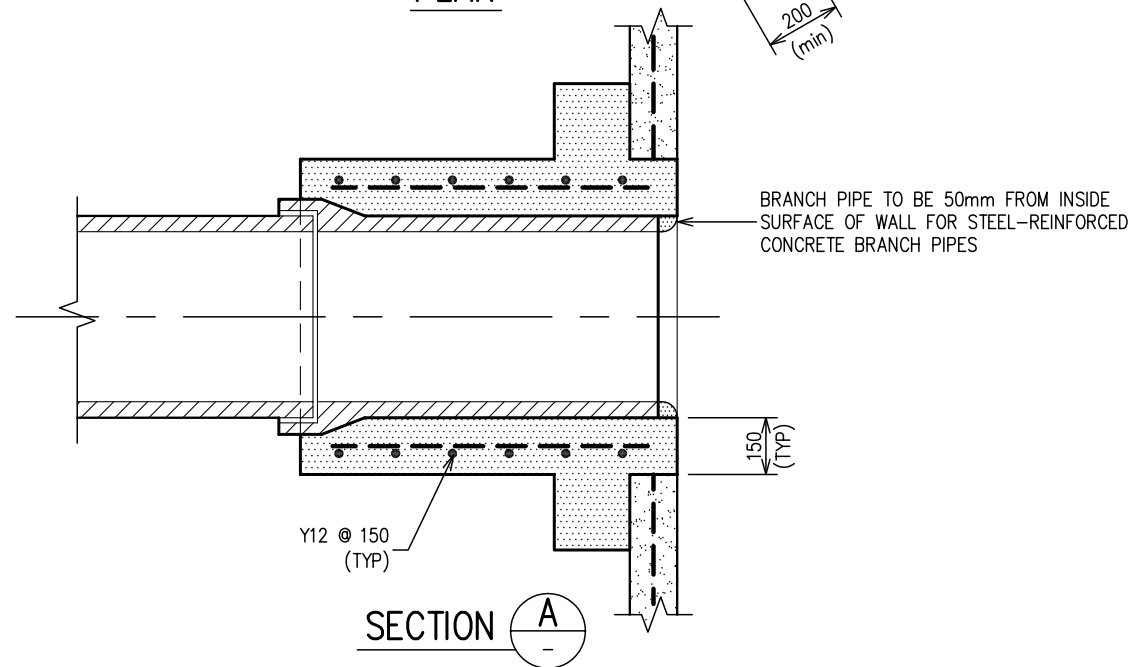
**DCP-200**

ISSUED: 2003

A.3



PLAN



SECTION A

CONSTRUCT BACKING BLOCK FOLLOWING PIPE INSTALLATION AS FOLLOWS:-  
 - SIDES OF CUT CONCRETE TO BE SCABBLED  
 - SCABBLED CONCRETE & PIPE BARREL TO BE FREE OF DUST AND GREASE  
 - A COATING OF EPIREZ 633 EPOXY MORTAR BINDER TO BE APPLIED TO ALL SURFACES TO BE IN CONTACT WITH NEW CONCRETE IMMEDIATELY PRIOR TO CONCRETE PLACEMENT

SAWCUT ALL ROUND & REMOVE EXISTING CONCRETE (TYP)  
 BRANCH PIPE TO BE LOCATED CLEAR OF JOINTS IN CULVERT

BRANCH PIPE TO BE 50mm FROM INSIDE SURFACE OF WALL FOR STEEL-REINFORCED CONCRETE BRANCH PIPES

**NOTES:**

1. APPROVAL TO CONNECT TO A HUNTER WATER CORPORATION STORMWATER ASSET IS CONDITIONAL ON THE RELEVANT LOCAL COUNCIL REVIEWING AND APPROVING INTERNAL STORMWATER DRAINAGE DESIGNS. SUCH APPROVAL MUST BE EVIDENCED TO HUNTER WATER PRIOR TO GRANTING APPROVAL TO CONNECT TO HWC STORMWATER SYSTEMS.
2. HYDRAULIC DISTURBANCE AND SMOOTH INTEGRATION OF FLOW IN THE STORMWATER SYSTEM ARE TO BE CONSIDERED FOR ALL CONNECTIONS. IN GENERAL ALL CONNECTIONS SHOULD BE MADE AT A MAXIMUM ENTRANCE OF 45° TO THE MAIN CULVERT FLOW.
3. THIS STANDARD CONSTRUCTION PRACTICE DRAWING APPLIES ONLY TO CONNECTIONS WHERE THE INCOMING PIPE IS NOT GREATER THAN 300MM IN DIAMETER
4. IF INTERNAL ACCESS TO THE CULVERT IS UNAVAILABLE THE BRANCH PIPE CONNECTED TO THE CULVERT IS TO BE SHORT ENOUGH TO ALLOW ADEQUATE REPAIRS TO THE INSIDE OF THE CULVERT THROUGH THE BRANCH PIPE.

**HUNTER WATER CORPORATION**

A.C.N. 053 102 837



STANDARD CONSTRUCTION PRACTICE  
**DRAINAGE STANDARD**

**STANDARD METHOD FOR PIPE CONNECTIONS  
 TO STORMWATER CULVERTS**

CAD FILE NAME: DCP-201

HWCS

**DCP-201**

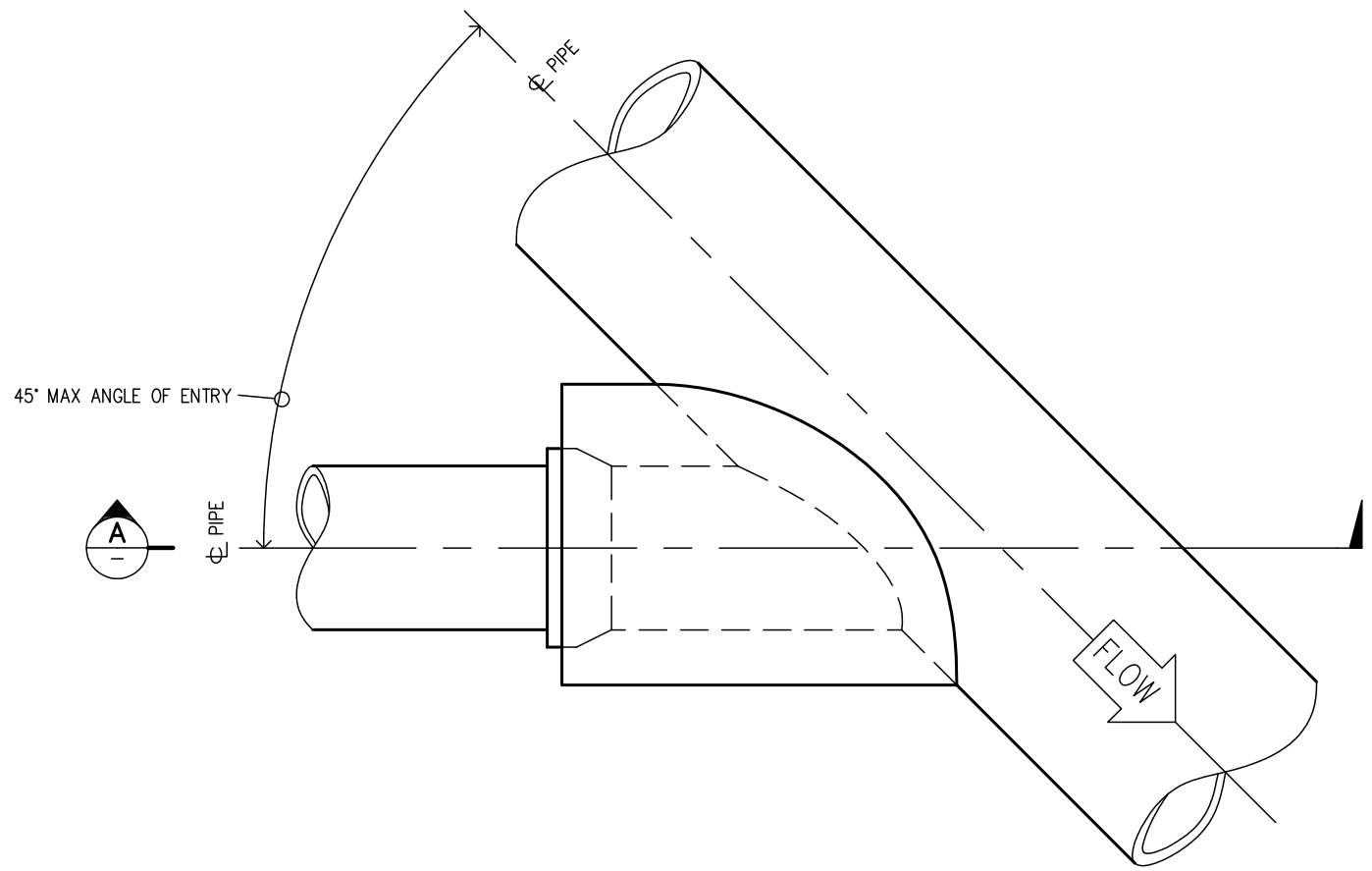
ISSUED: 2003

A.3

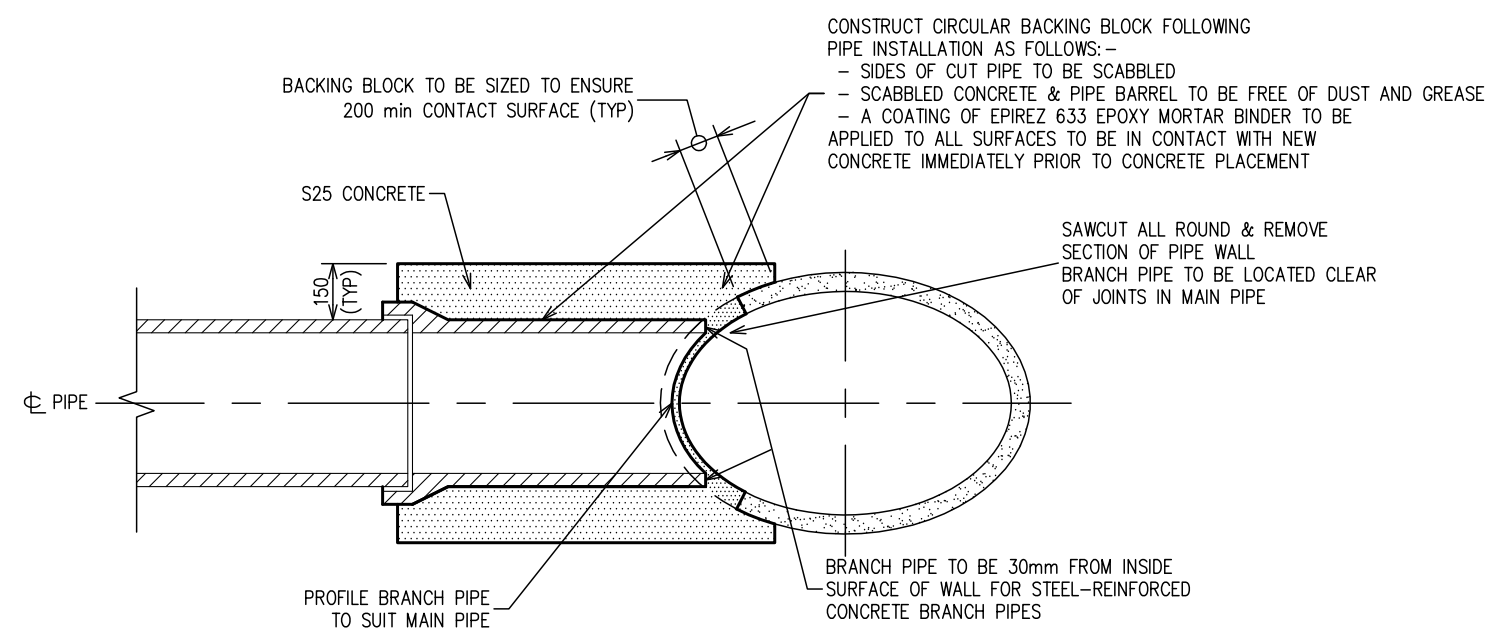
REV. N°	REVISION	APPROVED	DATE

© COPYRIGHT HUNTER WATER CORPORATION LIMITED.	APPROVED MANAGER CEC CONSULTING ENGINEERS	APPROVED MANAGER PLANNING AND DEVELOPMENT
---	---	---



PLAN



SECTION A

**NOTES:**

1. APPROVAL TO CONNECT TO A HUNTER WATER CORPORATION STORMWATER ASSET IS CONDITIONAL ON THE RELEVANT LOCAL COUNCIL REVIEWING AND APPROVING INTERNAL STORMWATER DRAINAGE DESIGNS. SUCH APPROVAL MUST BE EVIDENCED TO HUNTER WATER PRIOR TO GRANTING APPROVAL TO CONNECT TO HWC STORMWATER SYSTEMS.
2. HYDRAULIC DISTURBANCE AND SMOOTH INTEGRATION OF FLOW IN THE STORMWATER SYSTEM ARE TO BE CONSIDERED FOR ALL CONNECTIONS. IN GENERAL ALL CONNECTIONS SHOULD BE MADE AT A MAXIMUM ENTRANCE OF 45° TO THE MAIN PIPE FLOW.
3. THIS STANDARD CONSTRUCTION PRACTICE DRAWING APPLIES ONLY TO CONNECTIONS WHERE THE INCOMING PIPE IS NOT GREATER THAN 300 mm IN DIAMETER AND THE MAIN PIPE IS NOT LESS THAN 600mm IN DIAMETER
4. IF INTERNAL ACCESS TO THE MAIN PIPE IS UNAVAILABLE THE BRANCH PIPE CONNECTED TO THE MAIN PIPE IS TO BE SHORT ENOUGH TO ALLOW ADEQUATE REPAIRS TO THE INSIDE OF THE MAIN PIPE THROUGH THE BRANCH PIPE.

REV. N°	REVISION	APPROVED	DATE
		APPROVED	
© COPYRIGHT HUNTER WATER CORPORATION LIMITED.		MANAGER CEC CONSULTING ENGINEERS	MANAGER PLANNING AND DEVELOPMENT

**HUNTER WATER CORPORATION**  
 A.C.N. 053 102 837  


STANDARD CONSTRUCTION PRACTICE  
**DRAINAGE STANDARD**  
**STANDARD METHOD FOR PIPE CONNECTIONS TO STORMWATER PIPES**

CAD FILE NAME: DCP-202  
 HWCS  
**DCP-202**  
 ISSUED: 2003 | A.3