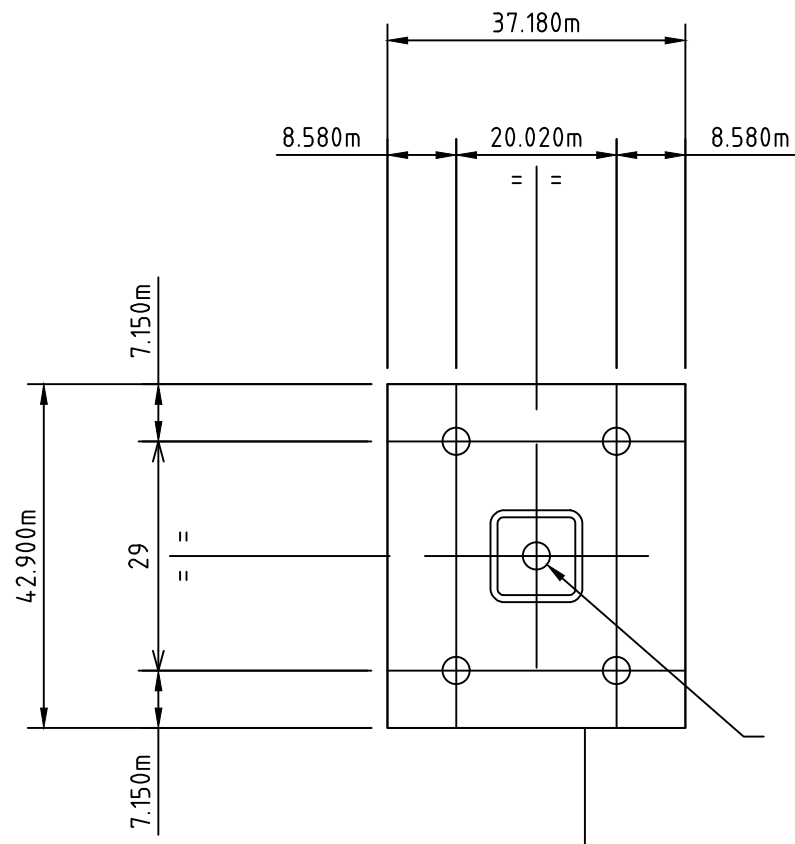
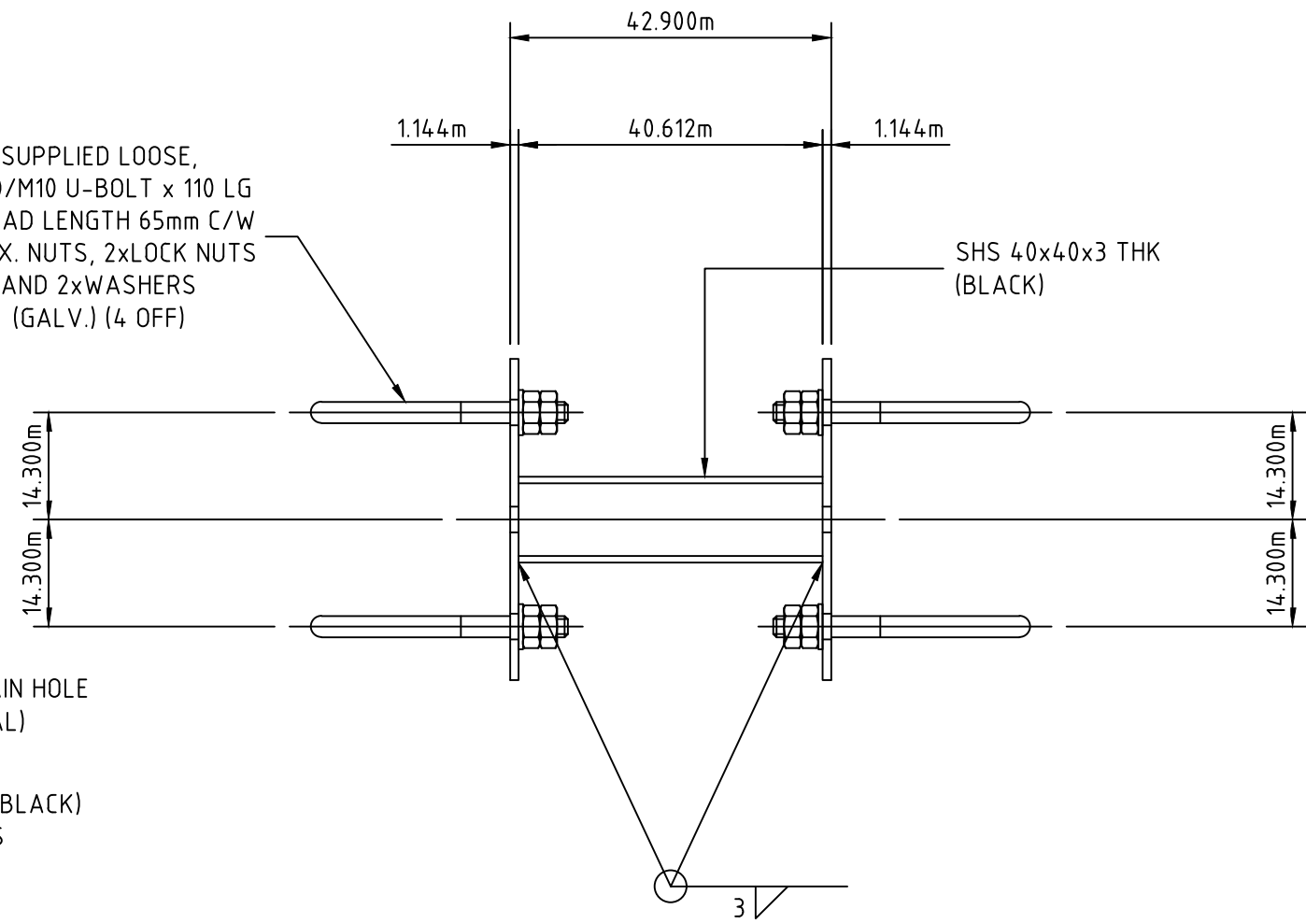


PLAN



END ELEVATION

SUPPLIED LOOSE,
DN50/M10 U-BOLT x 110 LG
THREAD LENGTH 65mm C/W
2xHEX. NUTS, 2xLOCK NUTS
AND 2xWASHERS
(GALV.) (4 OFF)



MOUNTING BRACKET

SCALE 1 : 5
FINISH: HOT DIP GALVANISED

φ12 DRAIN HOLE
(CENTRAL)

150x130x4 THK PLATE (BLACK)
4/φ12 MOUNTING HOLES
1/φ12 DRAINAGE HOLE
(TYPICAL EACH END)

3	STANDARD DRAWING ISSUE	SG	01-08-2018
2	REVISED CONSTRUCTION, LOCKING NUTS ADDED	AJ	14-06-2018
1	CONSTRUCTION ISSUE	AJ	03-05-2018
REV. N°	REVISION	APPROVED	DATE
© COPYRIGHT HUNTER WATER CORPORATION LIMITED.		APPROVED MANAGER INVESTMENT & ASSET PLANNING	



STANDARD CONSTRUCTION PRACTICE

ANTENNA MOUNTING BRACKET

CAD FILE NAME:	SCP-510
HWCS SCP-510	
ISSUED: 2018	A3