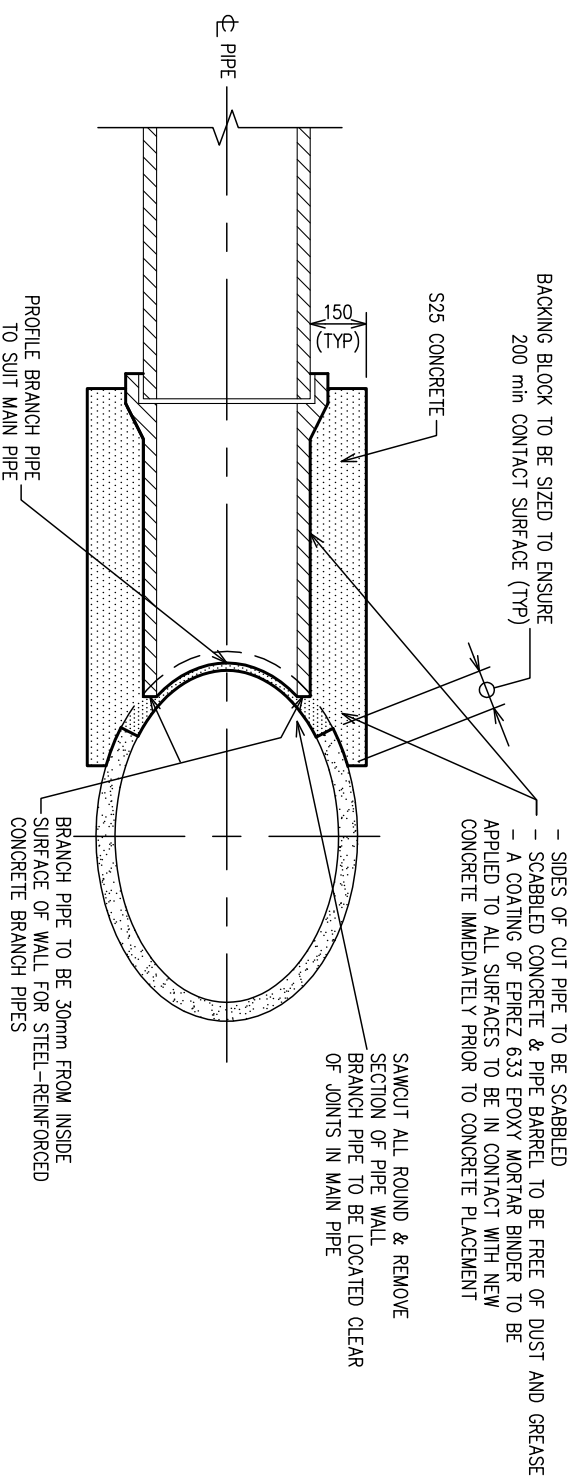


**PLAN**



**SECTION A-A**

CONSTRUCT CIRCULAR BACKING BLOCK FOLLOWING PIPE INSTALLATION AS FOLLOWS:-  
 - SIDES OF CUT PIPE TO BE SCABBLED  
 - SCABBLED CONCRETE & PIPE BARREL TO BE FREE OF DUST AND GREASE  
 - A COATING OF EPIREZ 633 EPOXY MORTAR BINDER TO BE APPLIED TO ALL SURFACES TO BE IN CONTACT WITH NEW CONCRETE IMMEDIATELY PRIOR TO CONCRETE PLACEMENT

SAWCUT ALL ROUND & REMOVE SECTION OF PIPE WALL BRANCH PIPE TO BE LOCATED CLEAR OF JOINTS IN MAIN PIPE

BRANCH PIPE TO BE 30mm FROM INSIDE SURFACE OF WALL FOR STEEL-REINFORCED CONCRETE BRANCH PIPES

- NOTES:**
1. APPROVAL TO CONNECT TO A HUNTER WATER CORPORATION STORMWATER ASSET IS CONDITIONAL ON THE RELEVANT LOCAL COUNCIL REVIEWING AND APPROVING INTERNAL STORMWATER DRAINAGE DESIGNS. SUCH APPROVAL MUST BE EVIDENCED TO HUNTER WATER PRIOR TO GRANTING APPROVAL TO CONNECT TO HWC STORMWATER SYSTEMS.
  2. HYDRAULIC DISTURBANCE AND SMOOTH INTEGRATION OF FLOW IN THE STORMWATER SYSTEM ARE TO BE CONSIDERED FOR ALL CONNECTIONS. IN GENERAL ALL CONNECTIONS SHOULD BE MADE AT A MAXIMUM ENTRANCE OF 45° TO THE MAIN PIPE FLOW.
  3. THIS STANDARD CONSTRUCTION PRACTICE DRAWING APPLIES ONLY TO CONNECTIONS WHERE THE INCOMING PIPE IS NOT GREATER THAN 300 mm IN DIAMETER AND THE MAIN PIPE IS NOT LESS THAN 600mm IN DIAMETER
  4. IF INTERNAL ACCESS TO THE MAIN PIPE IS UNAVAILABLE THE BRANCH PIPE CONNECTED TO THE MAIN PIPE IS TO BE SHORT ENOUGH TO ALLOW ADEQUATE REPAIRS TO THE INSIDE OF THE MAIN PIPE THROUGH THE BRANCH PIPE.

**HUNTER WATER CORPORATION**

A.C.N. 053 102 837



**STANDARD CONSTRUCTION PRACTICE DRAINAGE STANDARD**

**STANDARD METHOD FOR PIPE CONNECTIONS TO STORMWATER PIPES**

CAD FILE NAME: DCP-202

HWCS

**DCP-202**

ISSUED: 2003

A3

REV. N°	REVISION	APPROVED	DATE

© COPYRIGHT HUNTER WATER CORPORATION LIMITED.

APPROVED  
MANAGER  
CEC CONSULTING ENGINEERS

APPROVED  
MANAGER  
PLANNING AND DEVELOPMENT