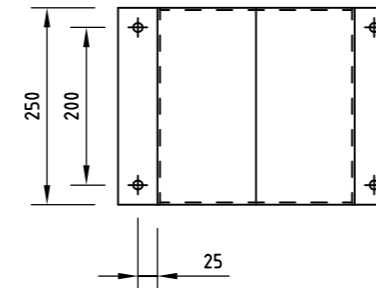
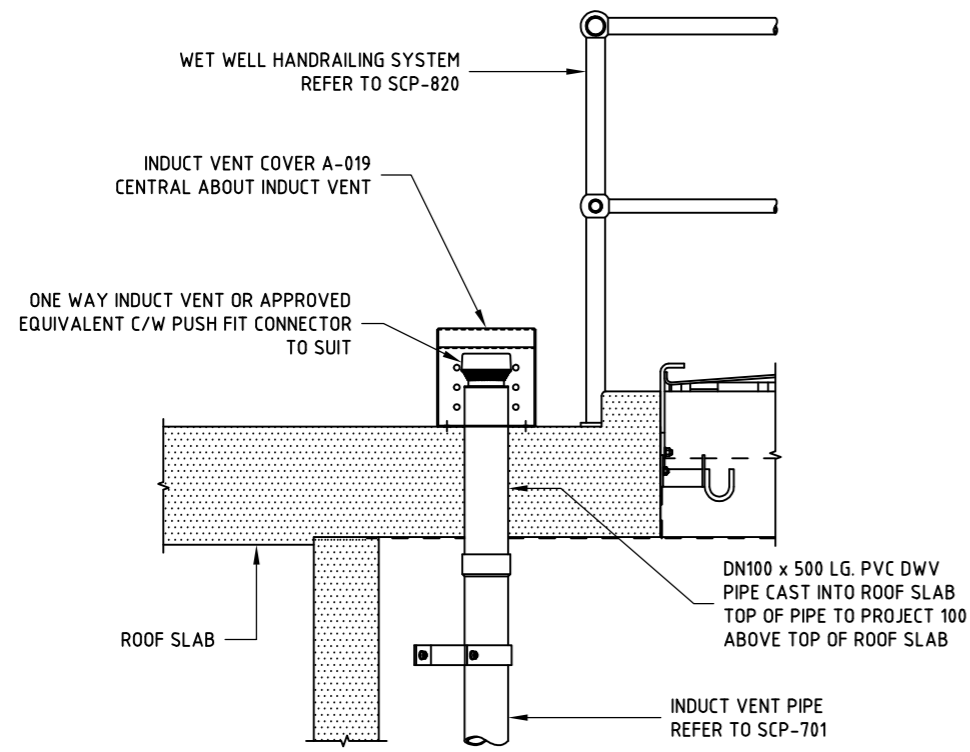


INDUCT VENT COVER INSTALLATION DETAIL

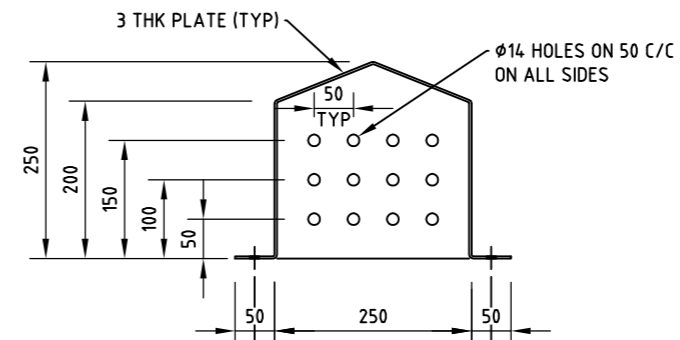
SCALE 1:20
(HANDRAIL NOT SHOWN FOR CLARITY)



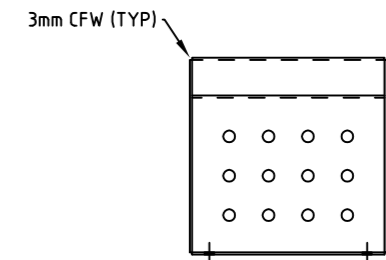
INDUCT VENT COVER PLAN



SECTION A-A
SCALE 1:20



INDUCT VENT COVER ELEVATION
(ALUMINUM ALLOY)



INDUCT VENT COVER
END ELEVATION

1	ADDITION OF INDUCT VENT COVER. REPLACED INDUCT VENT TYPE	S.H.	01-06-2016
REV. N°	REVISION	APPROV	DATE
APPROVED		APPROVED	
© COPYRIGHT HUNTER WATER CORPORATION		MANAGER ASSET MANAGEMENT	



STANDARD CONSTRUCTION PRACTICE
SEWERAGE STANDARD

SEWER PUMPING STATIONS
INDUCT VENT DETAILS

CAD FILE NAME: SCP-910

SCP-910

ISSUED: 2016

A3