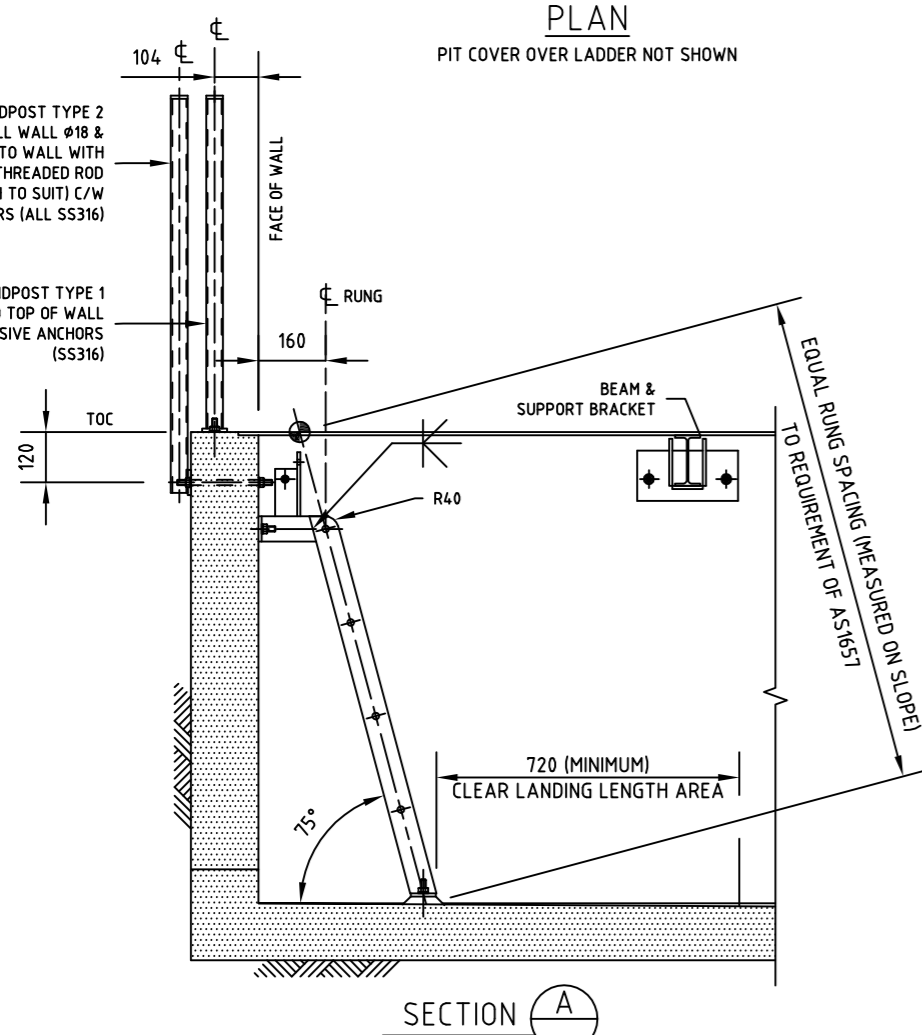
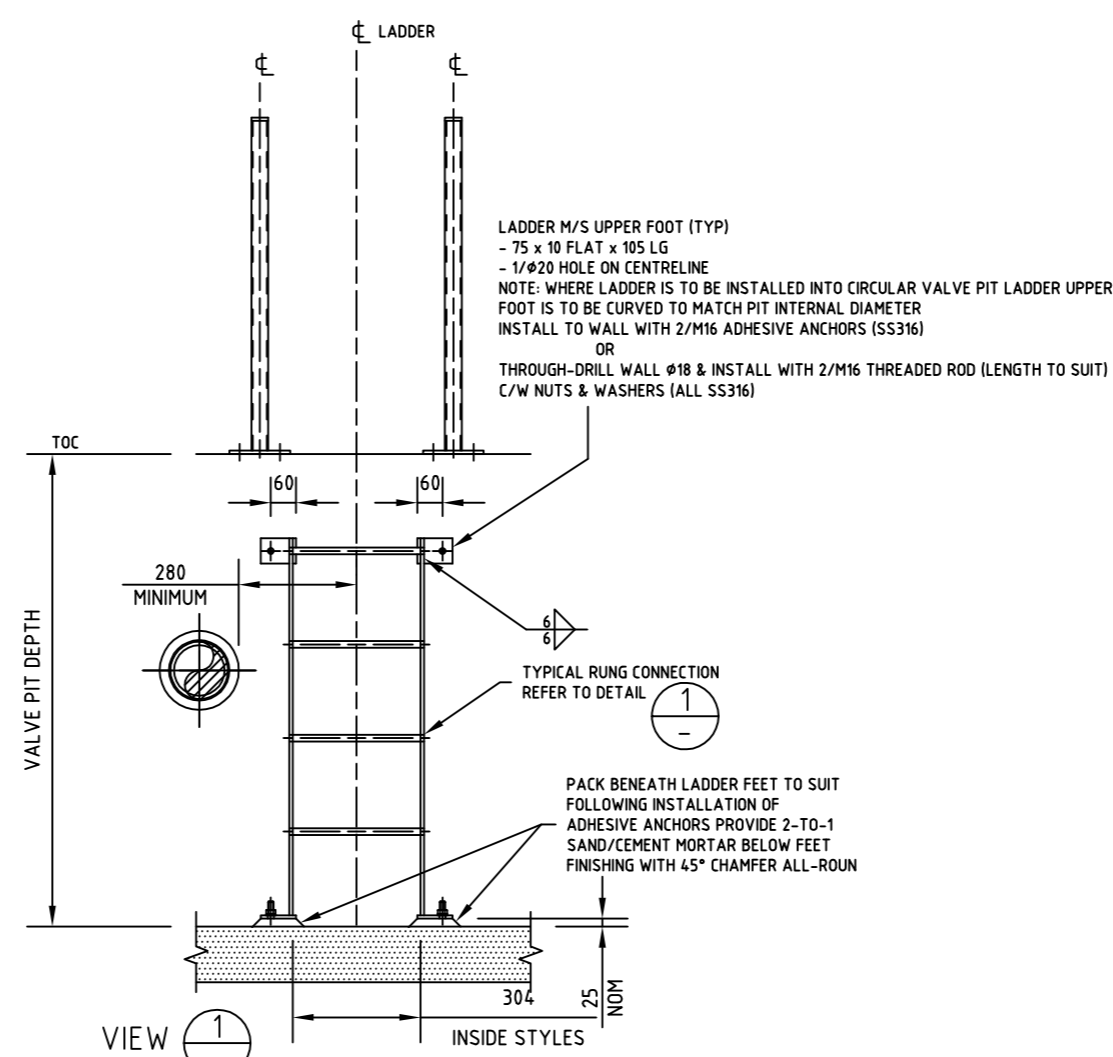


PLAN

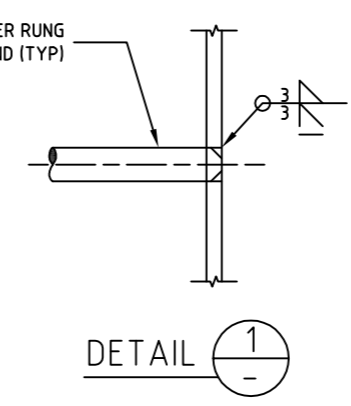
PIT COVER OVER LADDER NOT SHOWN



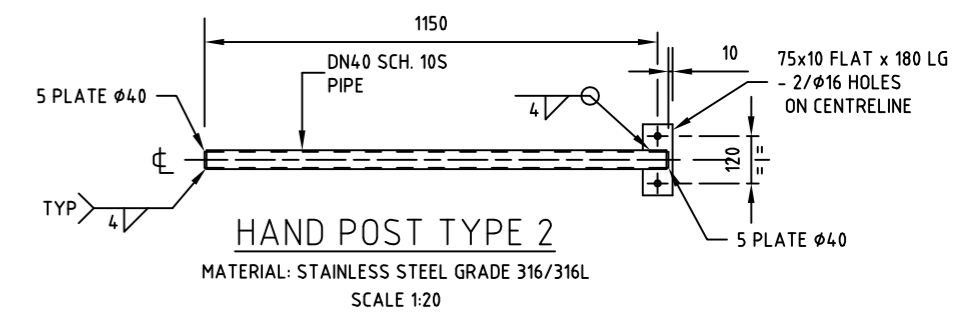
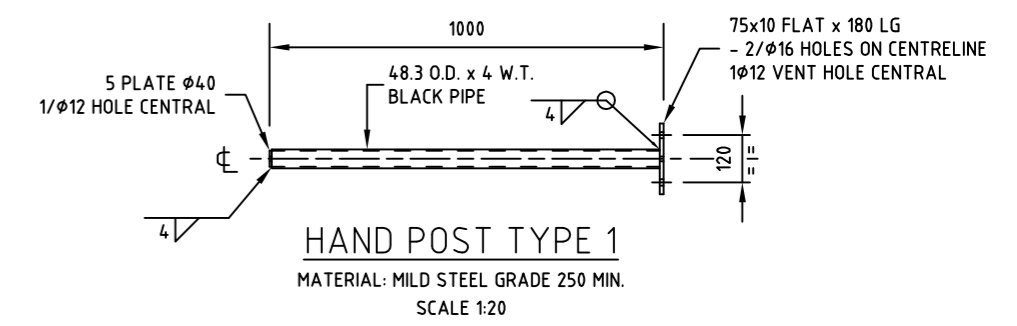
SECTION A



VIEW 1



DETAIL 1



NOTES

- LADDER ARRANGEMENT SHOWN IS HUNTER WATER'S PREFERRED ARRANGEMENT AND CONSTRUCTION BASED ON THE REQUIREMENTS OF AS1657. ALTERNATE ARRANGEMENTS CONFORMING TO THE REQUIREMENTS OF AS1657 MAY BE SUBMITTED FOR CONSIDERATION.
- LADDER TO BE HOT-DIPPED GALVANISED FOLLOWING FABRICATION IN ACCORDANCE WITH THE REQUIREMENTS OF AS/NZS 4380-2006. MINIMUM ZINC COATING THICKNESS SHALL BE IN ACCORDANCE WITH TABLE 1 OF AS/NZS 4380.
- ALL STAINLESS STEEL ITEMS SHALL BE PASSIVATED PRIOR TO INSTALLATION IN ACCORDANCE WITH THE REQUIREMENTS OF HWC STS100 "PASSIVATION OF STAINLESS STEELS".
- LADDER INSTALLATION COMPRISING THROUGH-WALL DRILLING OF VALVE PIT WALL AND INSTALLATION WITH THREADED ROD IS INTENDED WHERE VALVE PIT WALLS ARE <200mm IN THICKNESS. HAND POST TYPE 2 IS INTENDED FOR USE WHERE VALVE PIT WALLS ARE <200mm IN THICKNESS.
- PROVIDE NYLON OR PTFE INSULATING WASHERS AT SURFACE INTERFACE BETWEEN STAINLESS STEEL MASONRY ANCHORS AND FASTENERS AND STRUCTURAL MILD STEEL MEMBERS. APPLY NICKEL-BASED THREAD SEALING TAPE TO THE SECTION OF THE ANCHOR/FASTENER WITHIN THE MILD STEEL MEMBER.
- DRAWING SHOWS LADDER INSTALLATION WITHIN A CIRCULAR PIT WITH SURROUNDING INFRASTRUCTURE COMMON TO BOTH RECTANGULAR AND CIRCULAR PITS. FOR LADDER INSTALLATION INTO CIRCULAR PITS THE DESIGNER IS TO ENSURE THE NOTED MINIMUM CLEARANCE PARAMETERS ARE SATISFIED.

2	MONORAIL LADDER REMOVED. REVISED LADDER DESIGN	S.H.	01-06-2016
1	CONSTRUCTION ISSUE	S.H.	01-12-2015
REV. N°	REVISION	APPROV	DATE
APPROVED		APPROVED	
© COPYRIGHT HUNTER WATER CORPORATION		MANAGER ASSET MANAGEMENT	



STANDARD CONSTRUCTION PRACTICE
SEWERAGE STANDARD
 SEWAGE PUMPING STATIONS
 VALVE PIT LADDER ACCESS
 DETAILS

CAD FILE NAME:	SCP-909
SCP-909	
ISSUED:	2016
	A3