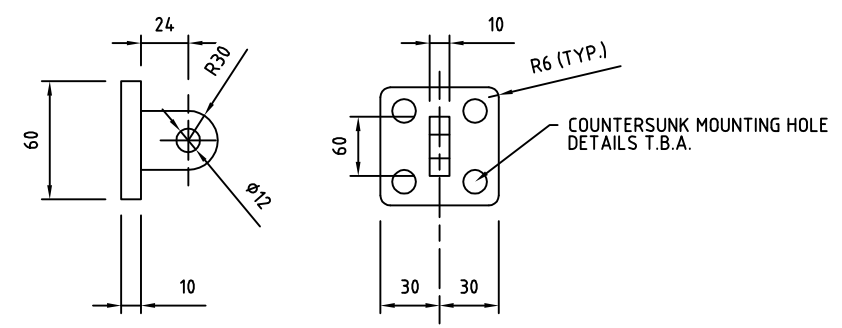
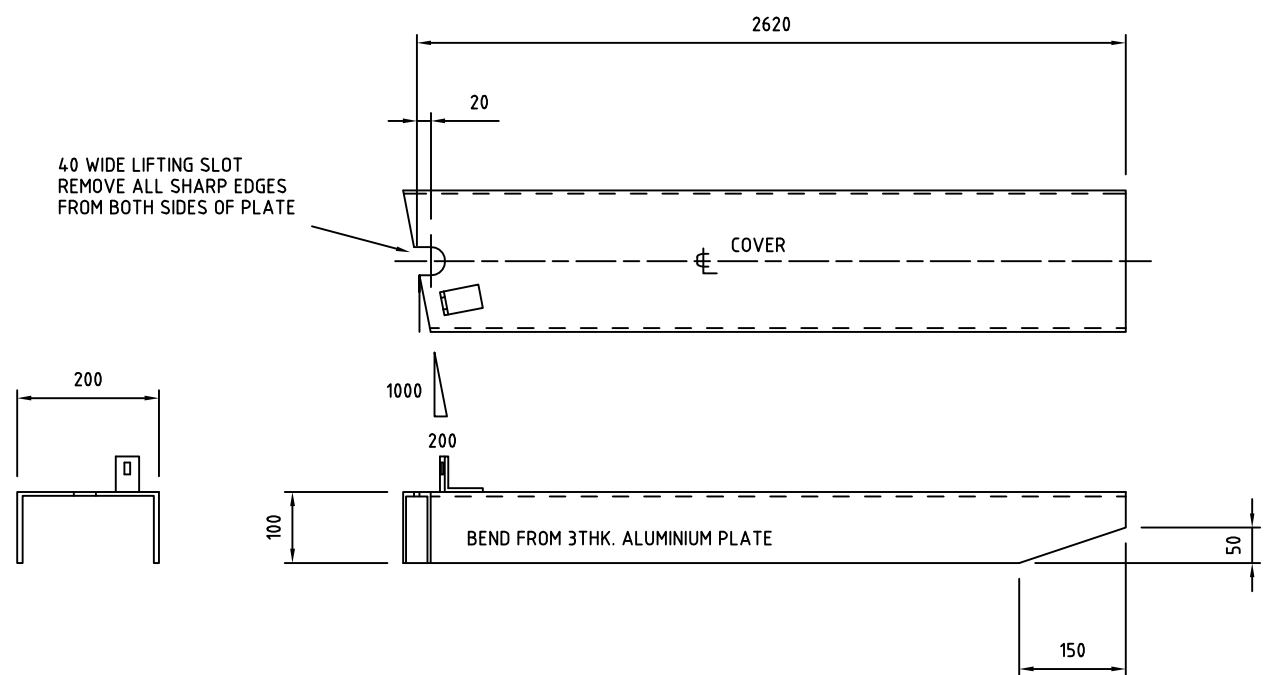


CABLE TRENCH COVER - AS NOTED

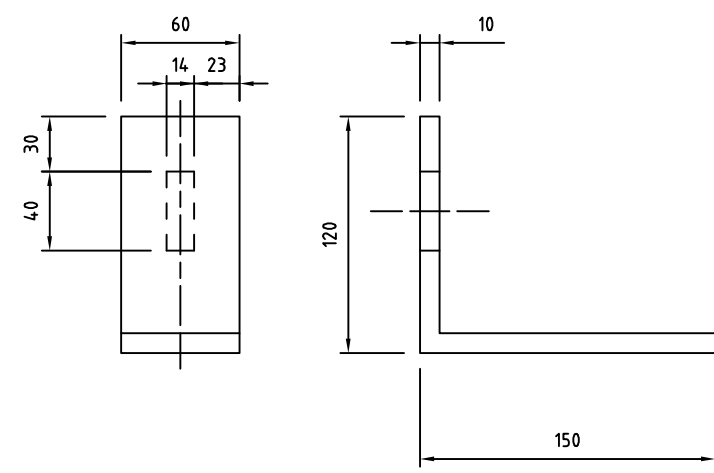


CABLE TRENCH COVER - LOCKING SYSTEM



CABLE TRENCH COVER MK E-907 AS DRAWN

CABLE TRENCH COVER MK F-907 OPP HAND



CABLE TRENCH COVER - LOCKING SYSTEM

NOTES:

1. ALL SHARP CORNERS TO BE REMOVED
2. LOCKING SYSTEM TO BE USED FOR GAS TIGHT COVERS ONLY

1	ADDITION OF CABLE TRENCH COVER LOCKING SYSTEM	S.H.	1/06/2016
REV. N°	REVISION	APPROV	DATE
APPROVED		APPROVED	
© COPYRIGHT HUNTER WATER CORPORATION		MANAGER ASSET MANAGEMENT	



STANDARD CONSTRUCTION PRACTICE
SEWERAGE STANDARD

SEWAGE PUMPING STATIONS
CABLE TRENCH COVER
DETAIL

CAD FILE NAME: SCP-907

SCP-907

ISSUED: 2016