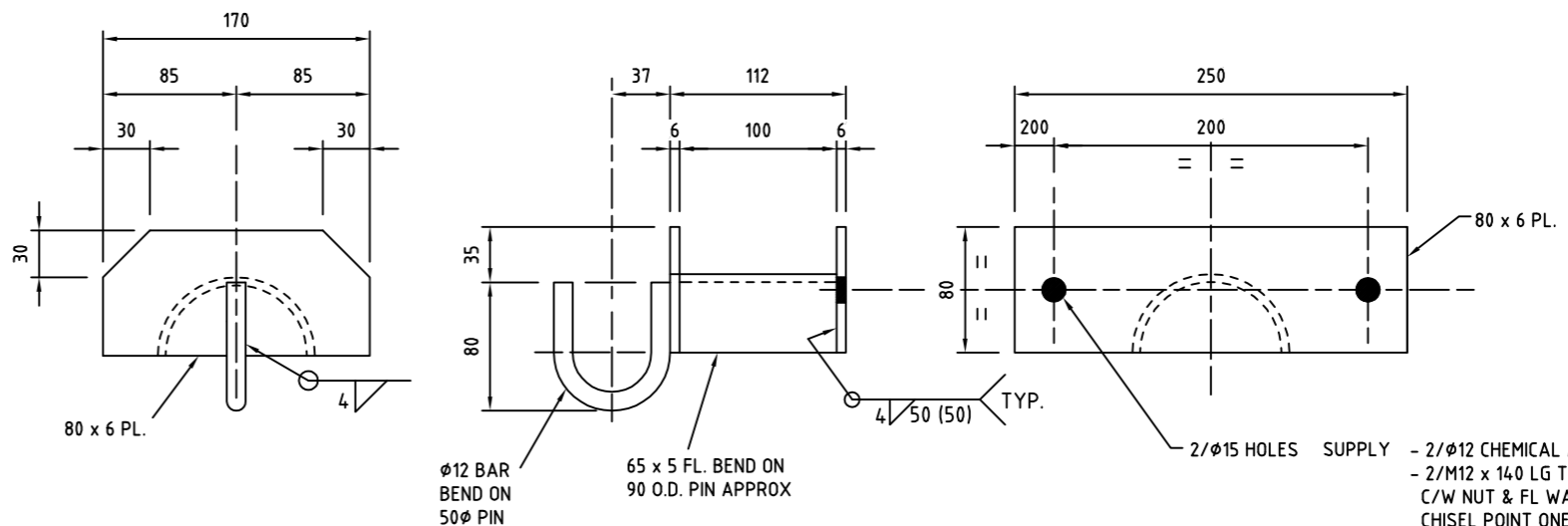
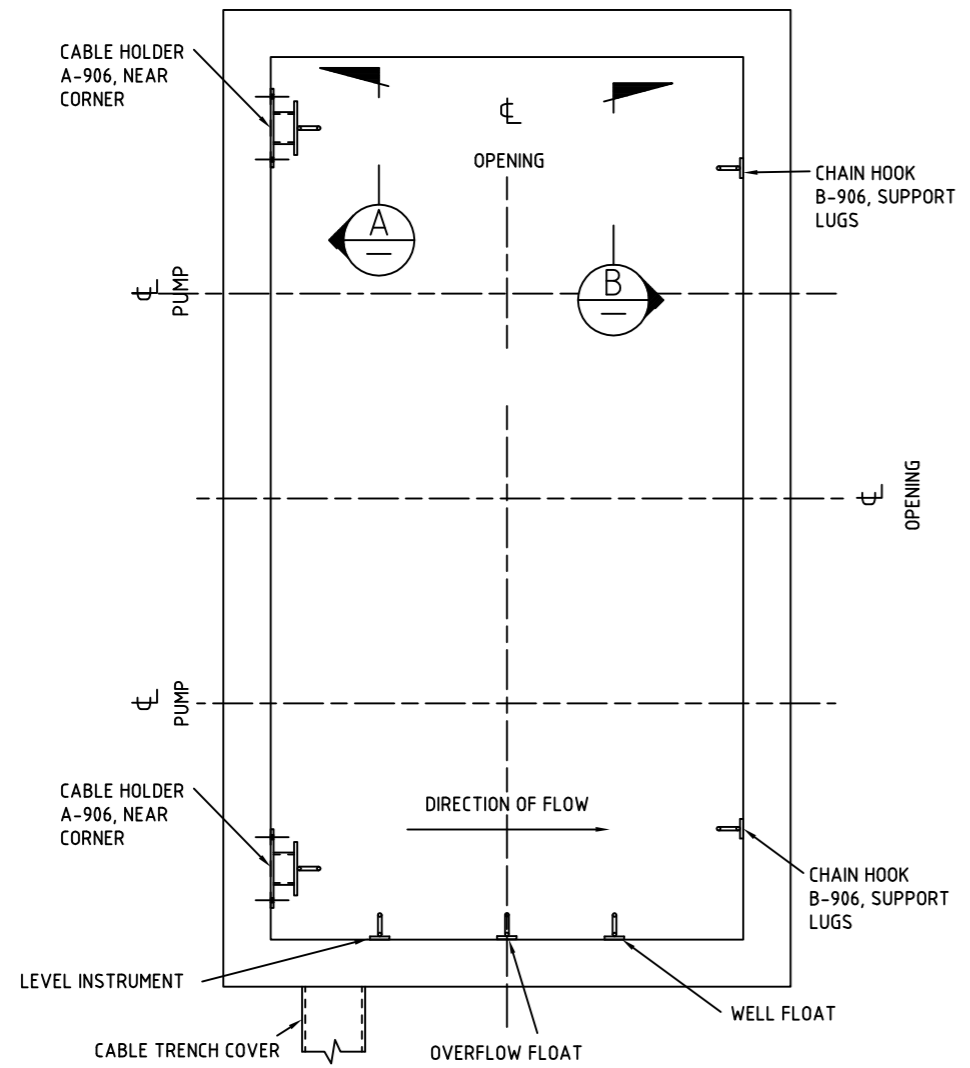


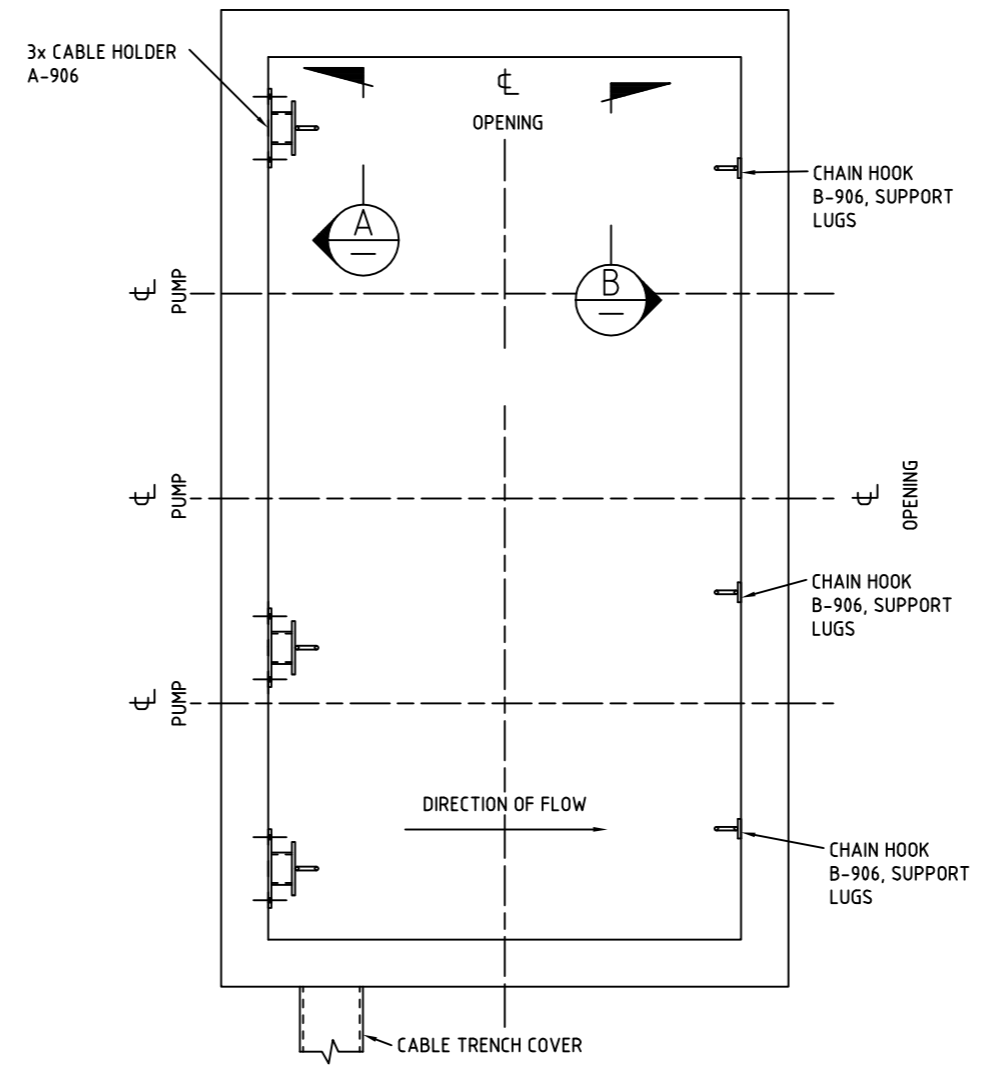
CHAIN HOOK MK B-906
MATERIAL : 316 SS
SCALE 1:5



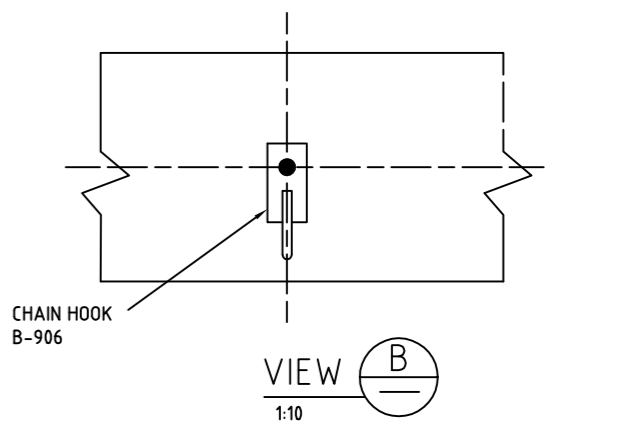
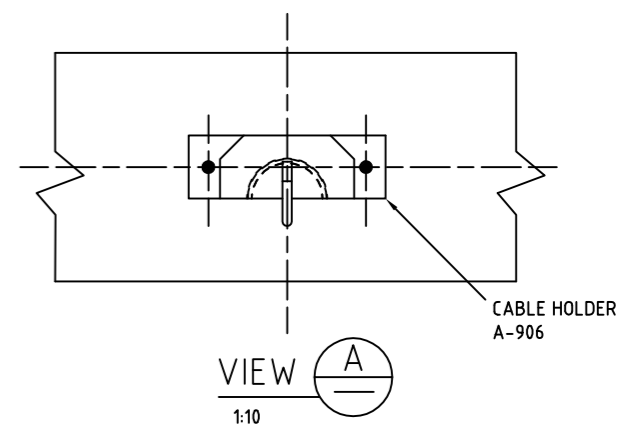
CABLE HOLDER MARK A-906
MATERIAL : ALUMINIUM ALLOY
SCALE 1:5



**HATCH OPENING ARRANGEMENT
DUPLIX**



**HATCH OPENING ARRANGEMENT
TRIPLEX**



1	SAFETY SCREENS REMOVED. POSITION OF INSTRUMENTS HOOKS SHOWN.	S.H.	1/06/2016
	CABLE HOOKS RELOCATED		
REV. N°	REVISION	APPROV	DATE
	APPROVED	APPROVED	
© COPYRIGHT HUNTER WATER CORPORATION		MANAGER ASSET MANAGEMENT	



STANDARD CONSTRUCTION PRACTICE
SEWERAGE STANDARD
SEWAGE PUMPING STATIONS
CABLE HOLDER AND CHAIN HOOK
DETAILS

CAD FILE NAME:	SCP-906
SCP-906	
ISSUED:	2016
	A3