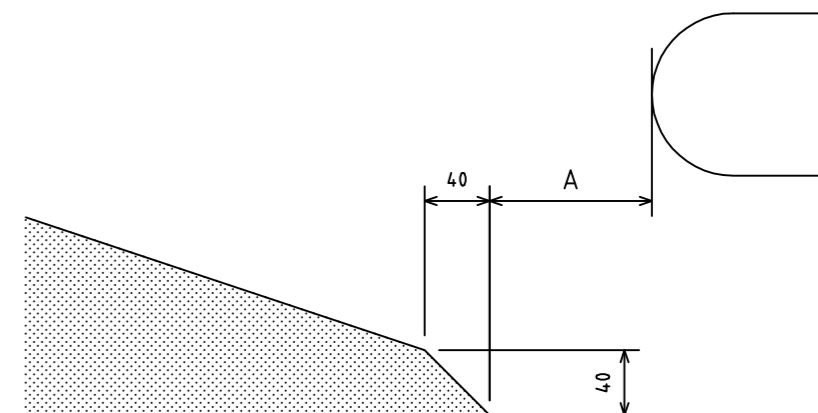
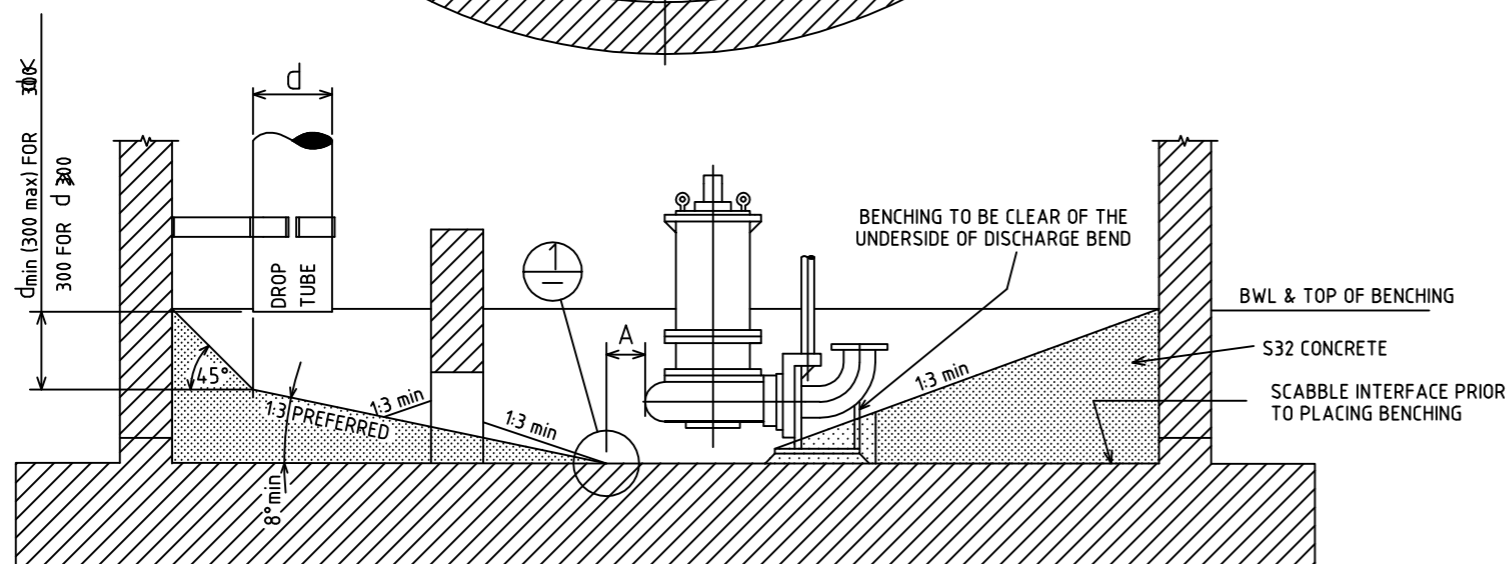


WHEN PLACING BENCHING, PUMP DISCHARGE PEDESTAL AREAS TO INITIALLY BE BOXED OUT AND THEN LATER INFILLED WITH 1:3 SAND:CEMENT MORTAR



TYP. DETAIL 1



NOTES:

1. DIMENSION A = PUMP DISCHARGE DIAMETER.
2. DIMENSION d = DROP TUBE DIAMETER.
3. BOTTOM OF DROP TUBE TO BE LEVEL WITH BWL OR A MAXIMUM OF 50mm BELOW BWL.

BENCHING ARRANGEMENT

1	CONSTRUCTION	S.H.	01-06-2016
REV. N°	REVISION	APPROVED	DATE
APPROVED		APPROVED	
MANAGER CEC CONSULTING ENGINEERS		MANAGER PLANNING AND DEVELOPMENT	



STANDARD CONSTRUCTION PRACTICE
SEWERAGE STANDARD

SEWAGE PUMPING STATIONS
BENCHING DETAILS WITH BAFFLE WALL

CAD FILE NAME: SCP-904

HWCS
SCP-904

ISSUED: 1997

A3