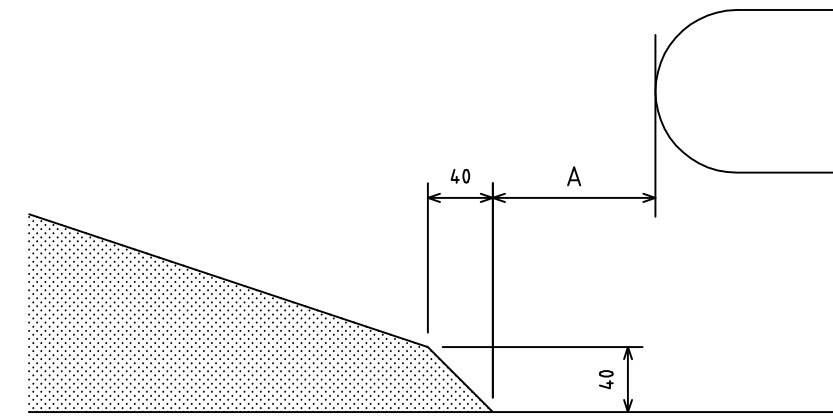


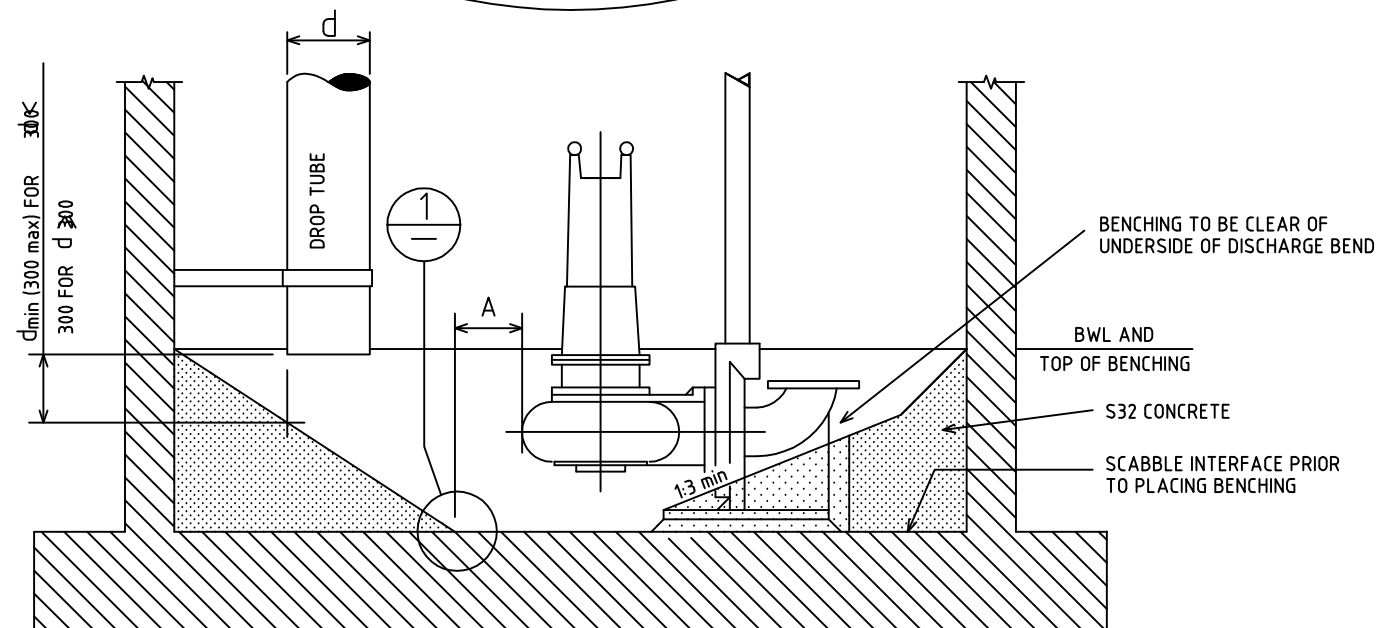
WHEN PLACING BENCHING, PUMP DISCHARGE PEDESTAL AREAS TO INITIALLY BE BOXED OUT AND THEN LATER INFILLED WITH 1:3 SAND:CEMENT MORTAR

NOTES:

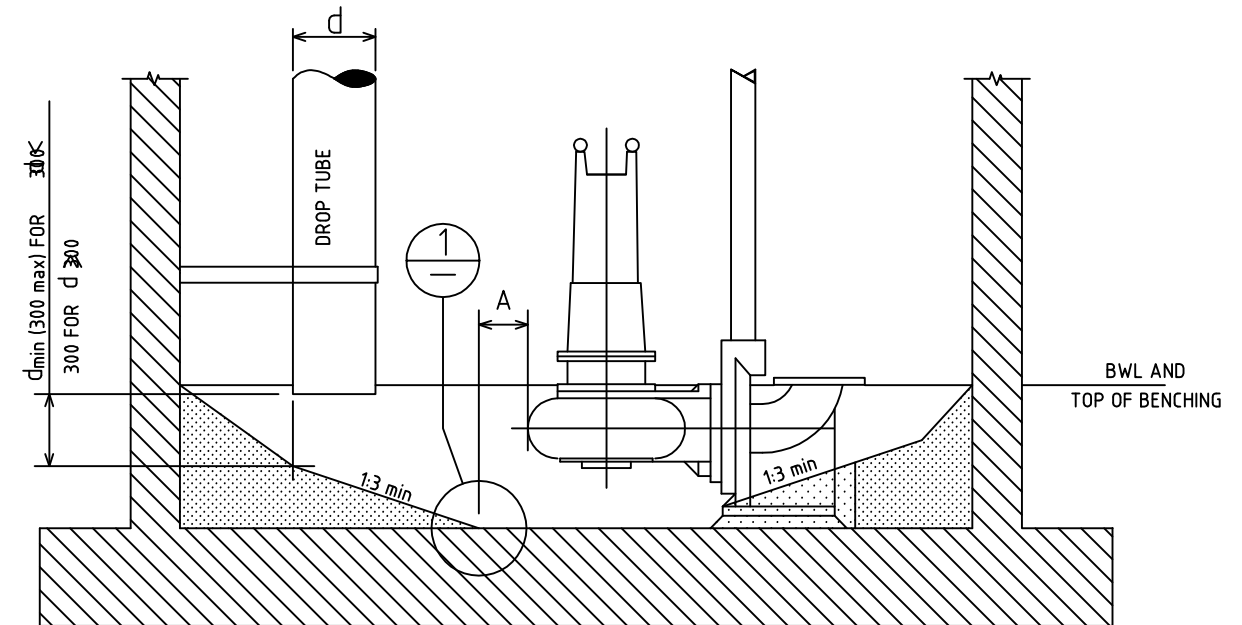
1. DIMENSION A = PUMP DISCHARGE DIAMETER.
2. DIMENSION d = DROP TUBE DIAMETER.
3. BOTTOM OF DROP TUBE TO BE LEVEL WITH BWL OR A MAXIMUM OF 50mm BELOW BWL.



TYP. DETAIL ①



PREFERRED BENCHING ARRANGEMENT



ALTERNATIVE BENCHING ARRANGEMENT

FOR DETAILS NOT SHOWN SEE PREFERRED ARRANGEMENT

1	TITLE BLOCK AMENDED	S.H	01-06-2016
REV. N°	REVISION	APPROVED	DATE
© COPYRIGHT HUNTER WATER CORPORATION LIMITED.		APPROVED MANAGER ASSET MANAGEMENT	



STANDARD CONSTRUCTION PRACTICE
SEWERAGE STANDARD

SEWAGE PUMPING STATIONS
BENCHING DETAILS WITHOUT BAFFLE WALL

CAD FILE NAME: SCP-903

HWCS
SCP-903

ISSUED: 2016

A3