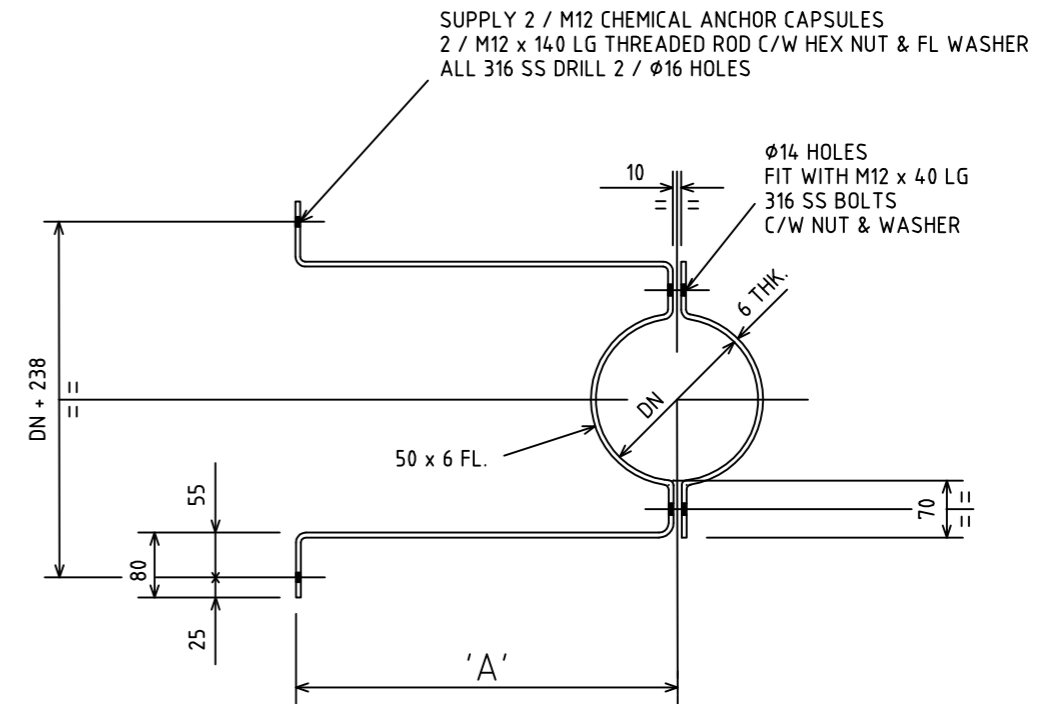


DROP TUBE

MATERIAL : 316 SS

DROP TUBE		PIPE CLIP
INCOMING SEWER DN	FACE RING	DIM'N A
150	25 x 25 x 3L	340
200	30 x 30 x 5L	415
250	30 x 30 x 5L	470
300	30 x 30 x 5L	555
375	38.1 x 38.1 x 4.75L	610
450	38.1 x 38.1 x 4.75L	690
500	38.1 x 38.1 x 4.75L	800
600	38.1 x 38.1 x 4.75L	900



PIPE CLIP

MATERIAL : 316 SS

1	TITLE BLOCK AMENDED	S.H.	01-06-2016
REV. N°	REVISION	APPROVED	DATE
© COPYRIGHT HUNTER WATER CORPORATION LIMITED.		APPROVED MANAGER ASSET MANAGEMENT	



STANDARD CONSTRUCTION PRACTICE
SEWERAGE STANDARD

SEWAGE PUMPING STATIONS
DROP TUBES AND PIPE CLIPS

CAD FILE NAME: SCP-902

HWCS

SCP-902

ISSUED: 2016

A3