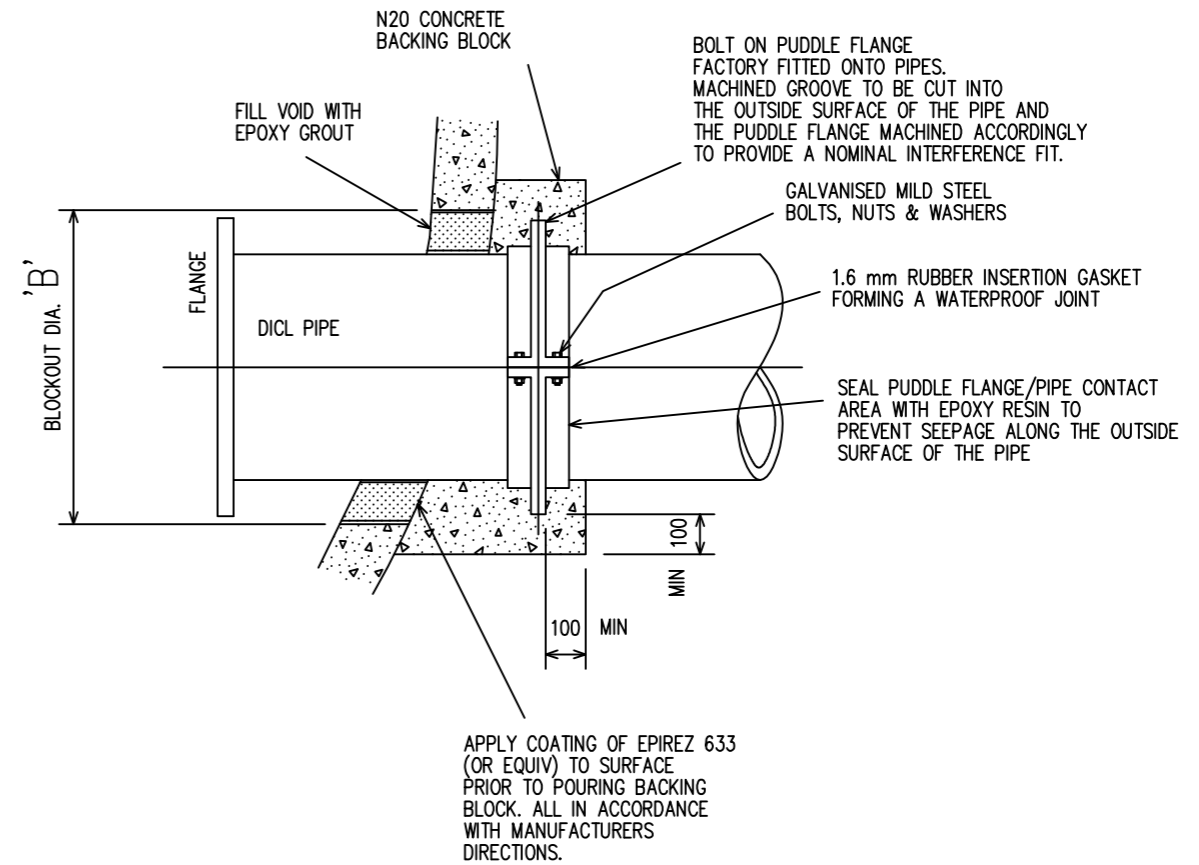


PIPE BLOCKOUT DETAIL



PUDDLE FLANGE DETAIL

PIPE DIAMETER	BLOCKOUT DIAMETER 'A'	BLOCKOUT DIAMETER 'B'
DN 100 UPVC SWV	175	-
DN 100	180	280
DN 150	240	350
DN 200	290	400
DN 225 UPVC	300	-
DN 250	350	450
DN 300	400	520
DN 375	490	620
DN 450	570	710
DN 500	620	770
DN 600	750	890
DN 750	900	1060

△

NOTES:

- REPAIR OF BLOCKOUTS :
- CLEAN CONCRETE AND PIPE SURFACES AND APPLY A COATING OF EPIREZ 633
  - FILL VOID WITH EPOXY GROUT EPIREZ 633 MIXED WITH QUARTZ SAND. APPLY TO MANUFACTURERS SPECIFICATION.

2	TITLE BLOCK AMENDED	S.H.	01-06-2016
1	BLOCKOUT DIAMETER 'B' DN100 WAS 200 NOW 280	D.CUMMINGS	25-11-97
REV. N°	REVISION	APPROVED	DATE
© COPYRIGHT HUNTER WATER CORPORATION LIMITED.		APPROVED MANAGER ASSET MANAGEMENT	



STANDARD CONSTRUCTION PRACTICE  
**SEWERAGE STANDARD**  
 SEWAGE PUMPING STATIONS  
 BLOCKOUT AND PUDDLE FLANGE DETAIL

CAD FILE NAME: SCP-901

HWCS  
**SCP-901**

ISSUED: 2016 A3