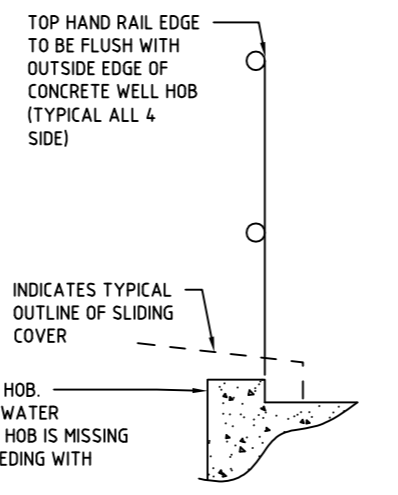
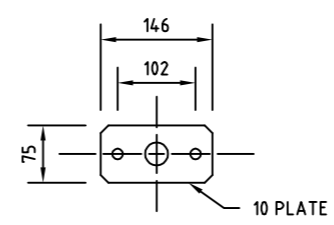


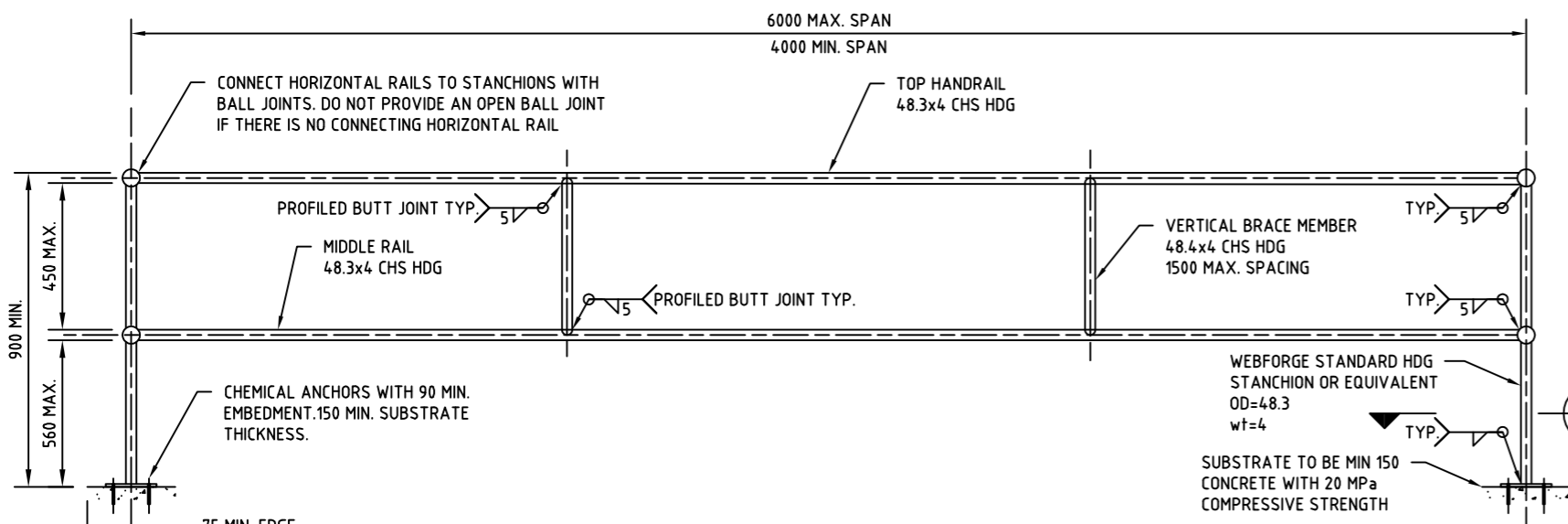
PLAN VIEW SLIDING COVER DESIGN
SCALE 1:50



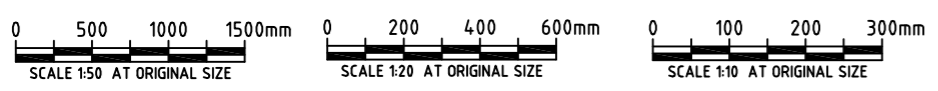
SECTION A
SCALE 1:20



SECTION B
SCALE 1:10



TYPICAL HANDRAIL ELEVATION
SCALE 1:20



NOTE: ALL CHEMICAL ANCHORS SHALL BE EITHER RAMSET CHEMSET 101 OR HILTI HIT-HY 200 OR APPROVED EQUIVALENT

GENERAL

- G1. READ THESE NOTES IN CONJUNCTION WITH ENGINEERING DRAWINGS AND SPECIFICATION, AND WITH SUCH OTHER WRITTEN INSTRUCTIONS ISSUED
- G2. NOMINATION OF PROPRIETARY ITEMS DOES NOT INDICATE EXCLUSIVE PREFERENCE, BUT INDICATES REQUIRED PROPERTIES MAY BE OFFERED FOR APPROVAL. INSTALL PROPRIETARY ITEMS IN ACCORDANCE WITH MANUFACTURER'S REQUIREMENTS AND RECOMMENDATIONS.
- G3. DO NOT OBTAIN DIMENSIONS BY SCALING FROM DRAWINGS.
- G4. DIMENSIONS ARE IN MILLIMETRES, LEVELS ARE IN METRES UNO, CHAINAGES ARE IN METRES UNO.
- G5. WORKMANSHIP AND MATERIALS TO COMPLY WITH REQUIREMENTS OF AUSTRALIAN STANDARDS, BUILDING CODE OF AUSTRALIA (BCA) AND BY-LAWS AND ORDINANCE OF RELEVANT BUILDING AUTHORITIES. ALL STANDARD REFERRED TO ARE THOSE CURRENT (AS AMENDED) AT COMMENCEMENT OF CONTRACT)
- G6. SEPARATE METALS FROM INCOMPATIBLE MATERIALS (eg STAINLESS STEEL, GALVANIZED STEEL, UNGALVANIZED STEEL AND OTHER TREATED TIMBER etc) BY CONCEALED LAYERS OF 2mm THICK POLYURETHANE ISOLATOR WHERE APPROPRIATE OR BY PAINTING DISSIMILAR MEMBER WITH ZINCE MOLYBDATE, ALKYD TYPE PRIMER FOLLOWED BY 2 COATS OF PAINT CONSISTING OF 200G OF ALUMINIUM PASTE PIGMENT (ASTM D 962, TYPE 2, CLASS B) PER LITRE OF VARNISH (ALUMINISED, HOT-DIP GALVANISED OR ELECTRO GALVANISED STEEL PLACED INCONSTANT WITH ALUMINIUM NEED NOT TO BE PAINTED). USE PLASTIC SLEEVES AND WASHERS FOR BOLTS, etc.

DESIGN ASSUMPTIONS

- G7. STRUCTURAL WORK HAS BEEN DESIGNED FOR FOLLOWING LOADS:
 - PERMANENT DEAD LOAD OF STRUCTURE AS SHOWN ON DRAWINGS
 - LIVE LOADS TO AS/NZS 1657: 600 N ACTING OUTWARDS OR DOWNWARDS
 - BUILDING DESIGN WORKING LIFE 350N/m ACTING OUTWARDS OR DOWNWARDS
 - BUILDING IMPORTANCE LEVEL 50 YEARS
 - WIND LOADS TO AS/NZS1170.2: 2
 - ULS DESIGN WIND SPEED V

STEEL

- S1. PROVIDE STEEL IN ACCORDANCE WITH:
 - AS/NZ3678 FOR PLATES AND FLOOR PLATES
 - AS/NZS3678 FOR PLATES AND FLOOR PLATE
 - OTHERWISE TO COMPLY WITH AS/NZS3678 OR AS/NZS3679 GRADE 250 UNO.

WELDING

- S2. DEVELOP WELD PROCEDURES TO SUIT JOINT DETAILS. USE PREQUALIFIED WELD PROCEDURES AND CONSUMABLES TO AS/NZS1554.1 CLAUSE 4.3 OR DEVELOP QUALIFICATION OF WELD PROCEDURE AND CONSUMABLES BY TESTING TO AS/NZS1554.1 CLAUSE 4.2. LIST APPLICABLE PARAMETERS ON WELDING PROCEDURE QUALIFICATION RECORD AND MAKE RECORD AVAILABLE FOR INSPECTION.
- S3. WELDING TO BE UNDERTAKEN BY SUITABLY QUALIFIED EXPERIENCED WELDER UNDER SUPERVISION OF QUALIFIED WELDING SUPERVISOR.
- S4. CARRY OUT WELDING TO AS/NZS1554: ALL INTERFACES BETWEEN STEEL SECTIONS TO BE CONNECTED WITH 5 mm CONTINUOUS FILLET WELDS ALL ROUND, BOTH SIDES UNO.
 - WELDS TO BE CATEGORY GP.
 - ELECTRODES TO BE LOW CARBON WITH TENSILE STRENGTH OF $f_{uw}=490$ MPa, PRE-APPROVED TO AS/NZS1554, eg CLASSIFICATION B-E49XX.
- S5. EXTENT OF WELD INSPECTION/TESTING TO BE:
 - VISUAL SCANNING: 100% OF WELDS
- S6. REPAIR FAULTY WELDS REVEALED BY WELD INSPECTION/TESTING AND REPEAT THE EXAMINATION.
- S7. WELDING SYMBOLS ARE TO AS1101.3. CFW INDICATES CONTINUOUS FILLET WELD.
- S8. ANY DAMAGE CAUSED TO PROTECTIVE COATINGS DURING SHOP OR SITE WELDING PROCESS TO BE RECTIFIED AS PER NOTE S17. THIS PROTECTIVE COATING IS ALSO TO BE APPLIED TO THE WELD ITSELF. CONNECTIONS
- S9. STEEL CONNECTION DETAILS TO BE IN ACCORDANCE WITH AS4100 AND AUSTRALIAN STEEL INSTITUTE (ASI) STRUCTURAL STEEL CONNECTION SERIES OF MANUALS AND GUIDES UNO.
- S10. PROVIDE RADIUS CORNERS ON EXPOSED CLEATS TO REDUCE RISK OF IMPALEMENT AND LACERATIONS. STAINLESS STEEL
- S11. PROVIDE STAINLESS STEEL GRADE 316L UNO. BOLTS AND NUTS TO BE STAINLESS STEEL GRADE 316L A4 CLASS 50 TO ISO 3506. WASHERS TO BE STAINLESS STEEL TO ISO 7089 OR ISO 7090.
- S12. PREVENT CONTACT BETWEEN STAINLESS STEEL AND CARBON STEEL, IRON, CHEMICALS, OILS AND/OR GREASE AS PER NOTE G6. DURABILITY & PROTECTIVE COATINGS
- S13. SURFACE PREPARATION: REMOVE OIL, GREASE AND OTHER CONTAMINANTS TO AS1627.1. ABRASIVE BLAST CLEAN TO AS1627.4 CLASS SA 2½ WITH SURFACE PROFILE 40 TO 70 MICRONS OR AS SPECIFIED BY COATINGS MANUFACTURER FOR THE SERVICE CONDITIONS. ASSESS ABRASIVE BLAST CLEANED SURFACE TO AS1627.9 AND SURFACE PROFILE TO AS3894.5. FOR SMALL AREAS WHERE ABRASIVE BLAST CLEANING IS NOT POSSIBLE OBTAIN APPROVAL FROM SUPERVISOR TO USE POWER TOOL CLEANING TO AS1627.2 CLASS St 3/PST 3 AS DEFINED IN ISO 8501.1 FOR STEEL CLEANED TO A METALLIC FINISH WITH MINIMUM 25 MICRON SURFACE PROFILE. REMOVE DUST BY BRUSHING OR VACUUM CLEANING.
- S14. ALL STEELWORK IS TO BE HOT DIPPED GALVANIZED TO AS/NZS4680 AND AS 1214 FOR FASTENERS. THICKNESS OF GALVANIZED COATINGS TO AS/NZS4680. ZINC IN GALVANISING BATH TO BE NOT LESS THAN 98% PURE. BATH TEMPERATURE, TIME OF IMMERSION AND WITHDRAWAL SPEED TO BE AS REQUIRED TO ACHIEVE SPECIFIED COATING THICKNESS AND FINISH. ZINC COATING TO BE CONTINUOUS, ADHERENT, FREE FROM LUMPS, SPIKES, DAGS, RUNS, BLISTERS, ROUGHNESS, GRITTY AREAS, UNCOATED SPOTS, ACID AND BLACK SPOTS, DROSS, FLUX AND OTHER IMPERFECTIONS.
- S15. PASSIVATE GALVANIZED STEEL TO BE IN CONTACT WITH CONCRETE BY DIPPING IN 0.2% SODIUM DICHROMATE SOLUTION.
- S16. STRAIGHTEN MEMBERS DISTORTED DURING FABRICATION AND/OR GALVANISING PROCESS USING AN APPROVED METHOD.
- S17. REPAIR DAMAGE TO GALVANIZED COATING TO AS/NZS 4680 SECTION 8 -REPAIR AFTER GALVANIZING. USE ORGANIC TWO-PACK ZINC RICH EPOXY COATING COMPLYING WITH AS/NZS 3750.9 APPLIED IN TWO COATS EACH 50 MICRON, MINIMUM TOTAL DRY FILM THICKNESS 100 MICRONS. DO NOT SPRAY CANS OF COLD GALV OR ZINC ALLOY SOLDER STICKS. SURFACE PREPARATION OF EXPOSED BARE STEEL TO BE ABRASIVE BLAST CLEANED TO AS 1627.4, CLASS 2½ (PREFERRED) OR POWER TOOL CLEANED TO AS 1627.2 CLASS ST 3. LIGHTLY SWEEP BLAST GALVANIZED SURFACES.
- S18. PROVIDE DRILLED VENT/DRAIN HOLES AT TOP AND BOTTOM EXTREMITIES FOR HOLLOW SECTIONS TO BE HOT DIPPED GALVANIZED. PROVIDE RUBBER SEALS OR PLUG WELD VENT/DRAIN HOLES THAT REMAIN EXPOSED.
- S19. PROVIDE DRILLED SUSPENSION HOLES IN END PLATES, ETC FOR ITEMS TO BE HOT DIPPED GALVANIZED.
- S20. PRIOR TO DIPPING ADVISE SUPERINTENDENT OF ANY DESIGN FEATURES THAT MAY LEAD TO DIFFICULTIES DURING GALVANISING AND SUBMIT DETAILS FOR IMPROVEMENT.
- S21. DO NOT PAINT GALVANIZED STEELWORK UNLESS SPECIFIED ON THE ENGINEERING DRAWINGS.
- S22. PROTECTIVE COATINGS ARE TO BE SHOP APPLIED AND CURED IN WORKSHOP IN ACCORDANCE WITH MANUFACTURER'S RECOMMENDATIONS UNLESS APPROVED OTHERWISE IN WRITING BY SUPERINTENDENT. PROTECTIVE COATINGS ARE TO BE SMOOTH, UNIFORM AND WITHOUT RUNS, BEADS, PINHOLES, SURFACE CRAZING OR OTHER IMPERFECTIONS.
- S23. PROTECT COATINGS FROM DAMAGE AND DETERIORATION DURING HANDLING, TRANSPORT, STORAGE AND ERECTION. REPAIR DAMAGE TO PROTECTIVE COATINGS TO REINSTATE INTEGRITY OF NOMINATED COATING IN ACCORDANCE WITH MANUFACTURERS' RECOMMENDATIONS AND SPECIFICATION. EDGES OF PATCH REPAIRS TO BE FEATHERED.



STANDARD CONSTRUCTION PRACTICE
SEWERAGE STANDARD
WWPS
FALL PREVENTION HANDRAIL
SLIDING COVERS

CAD FILE NAME:	SCP-822
SCP-822	
ISSUED:	2016
	A3

0	CONSTRUCTION ISSUE	S.H.	1/06/2016
REV. N°	REVISION	APPROV	DATE
APPROVED		APPROVED	
© COPYRIGHT HUNTER WATER CORPORATION		MANAGER ASSET MANAGEMENT	