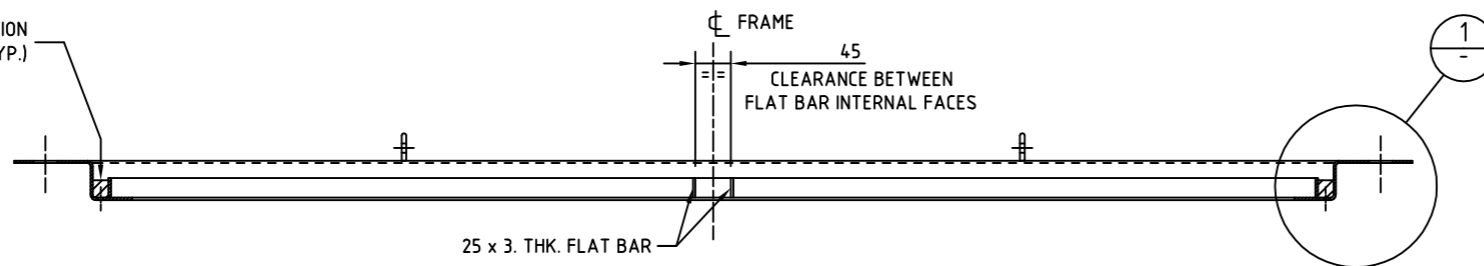
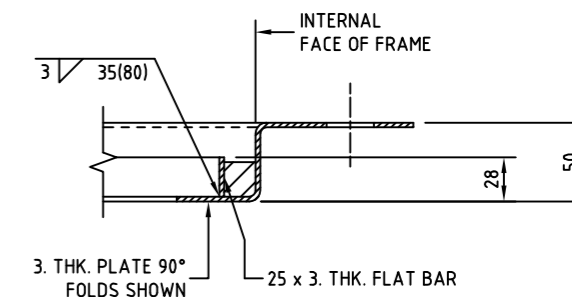


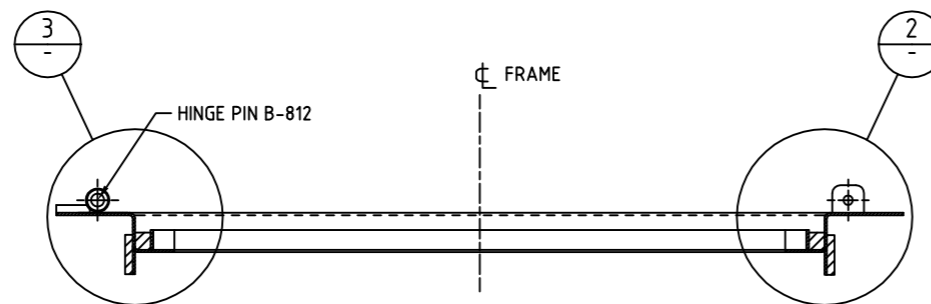
22 x 22 EPDM SPONGE RUBBER INSERTION
PRESS FIT INTO SEAL SLOT IN FRAME (TYP.)



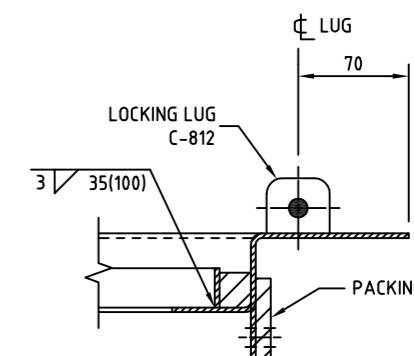
SECTION **A**
812
SCALE 1:10



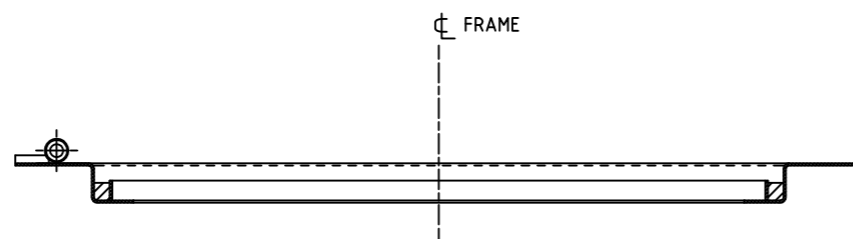
DETAIL **1**
SCALE 1:5



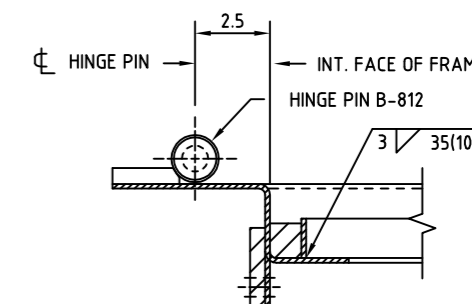
SECTION **B**
812
SCALE 1:10



DETAIL **2**
SCALE 1:5



SECTION **C**
812
SCALE 1:10



DETAIL **3**
SCALE 1:5

NOTES

- FOUR TABS TO BE FITTED TO GAS TIGHT COVER FRAME ASSEMBLY HORIZONTALLY BOLTED TO WALL TO SUPPORT THE ENTIRE HINGED COVERS.
- PACKING NEEDED BEHIND EACH TAB TO REDUCE WARPING.

1	ADDITION OF NOTES	S.H.	1/06/2016
REV. N°	REVISION	APPROV	DATE
APPROVED		APPROVED	
© COPYRIGHT HUNTER WATER CORPORATION		MANAGER ASSET MANAGEMENT	



STANDARD CONSTRUCTION PRACTICE
SEWERAGE STANDARD

SEWAGE PUMPING STATIONS
GAS-TIGHT WET-WELL COVERS
STEEL WORKS (FRAME)

CAD FILE NAME: SCP-813

SCP-813

ISSUED: 2016