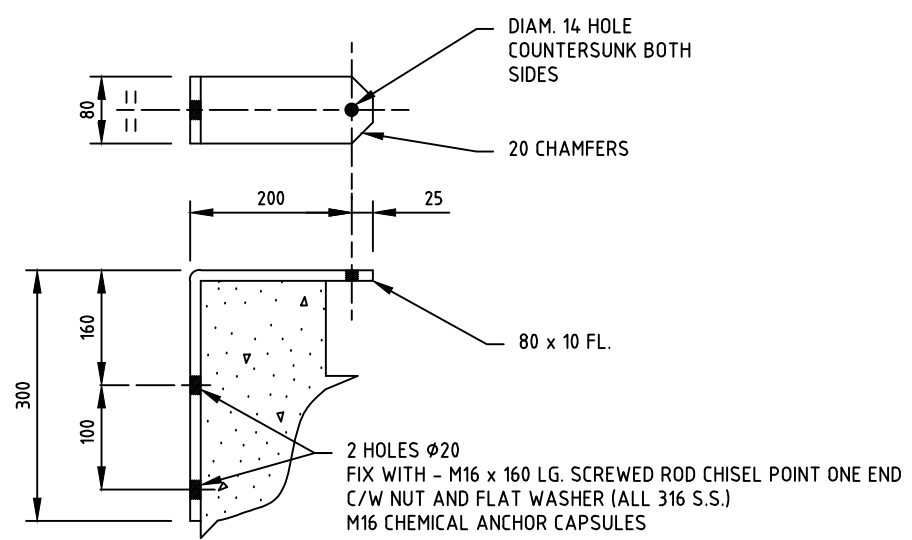
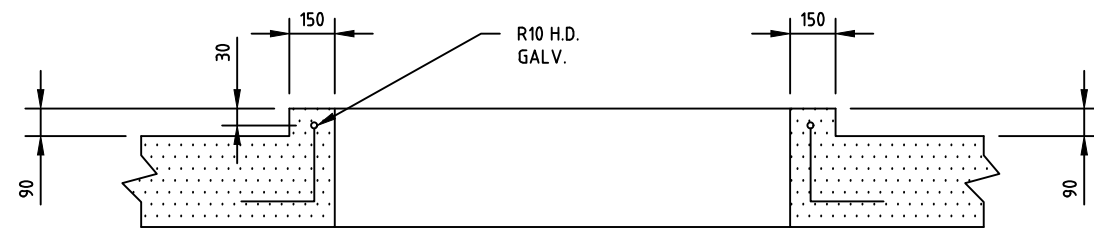


HATCH OPENING		HATCH COVER
DIM'N A	DIM'N B	
2000	1500	MK A-804 & MK B-804
2800	1500	MK C-804 & MK D-804
3000	1800	MK E-804 & MK F-804



NOTES:
1. ALL COVER PLATES TO BE PERMANENTLY MARKED WITH THE LETTERS "HWC".
LETTERS TO BE ROUTED AT TYPICAL 2mm DEPTH.

2	SAFETY SCREENS REMOVED. PERMANENT MARKING REQUIREMENTS CHANGED. SLIDING COVER HANDLE MODIFIED.	S.H.	1-06-2016
1	LETTER MARKING ADDED	J.R.G.	1-07-2002
REV. N°	REVISION	APPROV	DATE
		APPROVED MANAGER ASSET MANAGEMENT	



STANDARD CONSTRUCTION PRACTICE
SEWERAGE STANDARD
SEWAGE PUMPING STATIONS
DOUBLE SLIDING HATCH COVERS
MARKING PLAN AND DETAILS

CAD FILE NAME:	SCP-803
SCP-803	
ISSUED:	2016
	A3

© COPYRIGHT HUNTER WATER CORPORATION