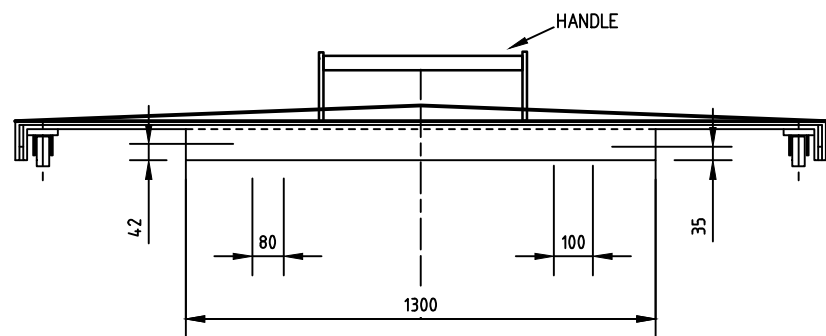


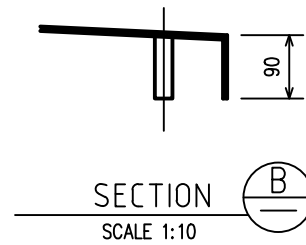
PLAN

SCALE 1:20

- ▲ HATCH COVER MK. A-801 - 1600 x 900 OPENING
  - ▲ HATCH COVER MK. B-801 - 1800 x 1420 OPENING
  - ▲ HATCH COVER MK. C-801 - 2000 x 1420 OPENING
- MATERIAL : ALUMINIUM ALLOY

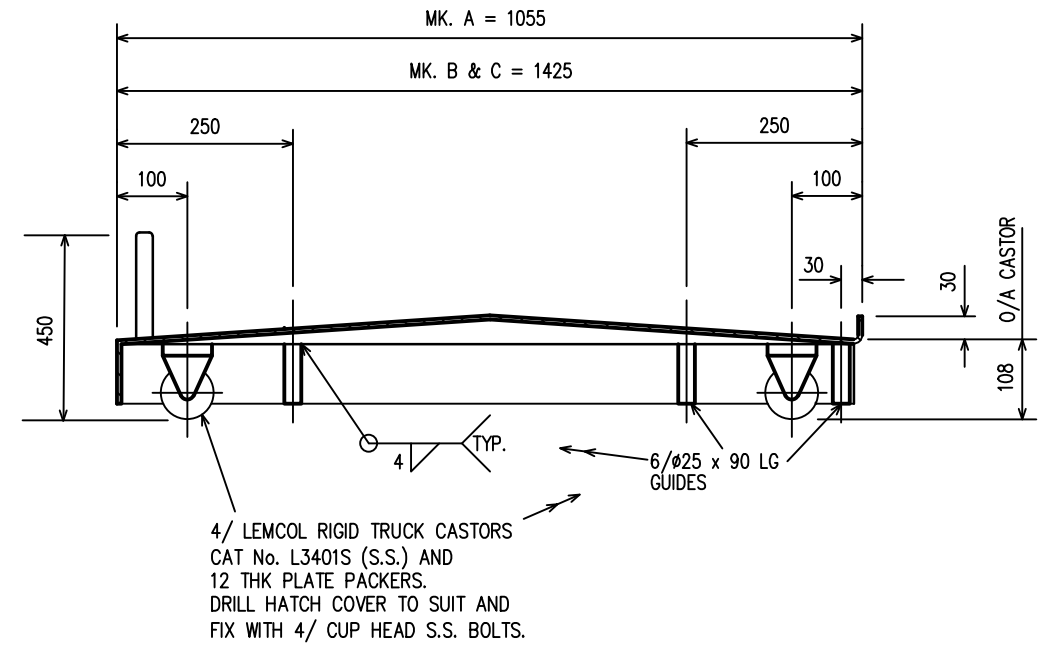


ELEVATION



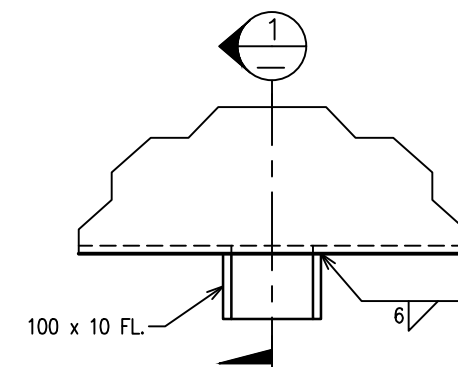
SECTION B

SCALE 1:10



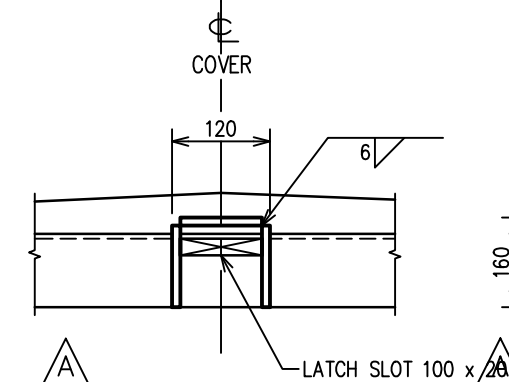
ENLARGED SECTION A

SCALE 1:10

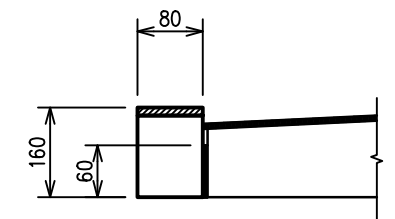


DETAIL 1

SCALE 1:1



ELEVATION



SECTION C

NOTES

- ▲ 1. ALL COVER PLATES TO BE PERMANENTLY MARKED WITH THE LETTERS 'HWC'. LETTERS TO BE ROUTED AT TYPICAL 2mm DEPTH.

2	NOTE 1 AMENDED AND TITLE BLOCK UPDATED. SLIDING COVER HANDLE MODIFIED	S.H.	01-06-16
1	LETTER MARKING & PADLOCK PROTECTION BOX ADDED	J.R.G.	01-07-02
REV. N°	REVISION	APPROVED	DATE

© COPYRIGHT HUNTER WATER CORPORATION

APPROVED

MANAGER  
ASSET MANAGEMENT



STANDARD CONSTRUCTION PRACTICE  
**SEWERAGE STANDARD**  
SEWERAGE PUMPING STATIONS  
SINGLE SLIDING HATCH COVER  
DETAILS

CAD FILE NAME: SCP-801

**SCP-801**

ISSUED: 2016

A3