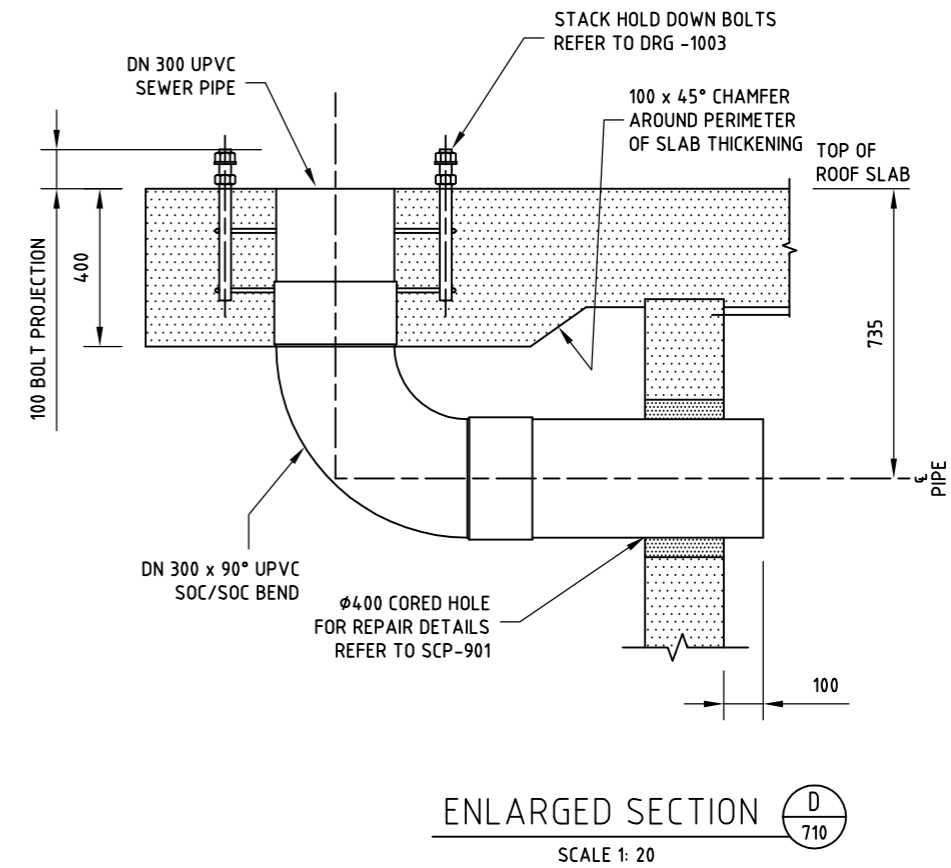
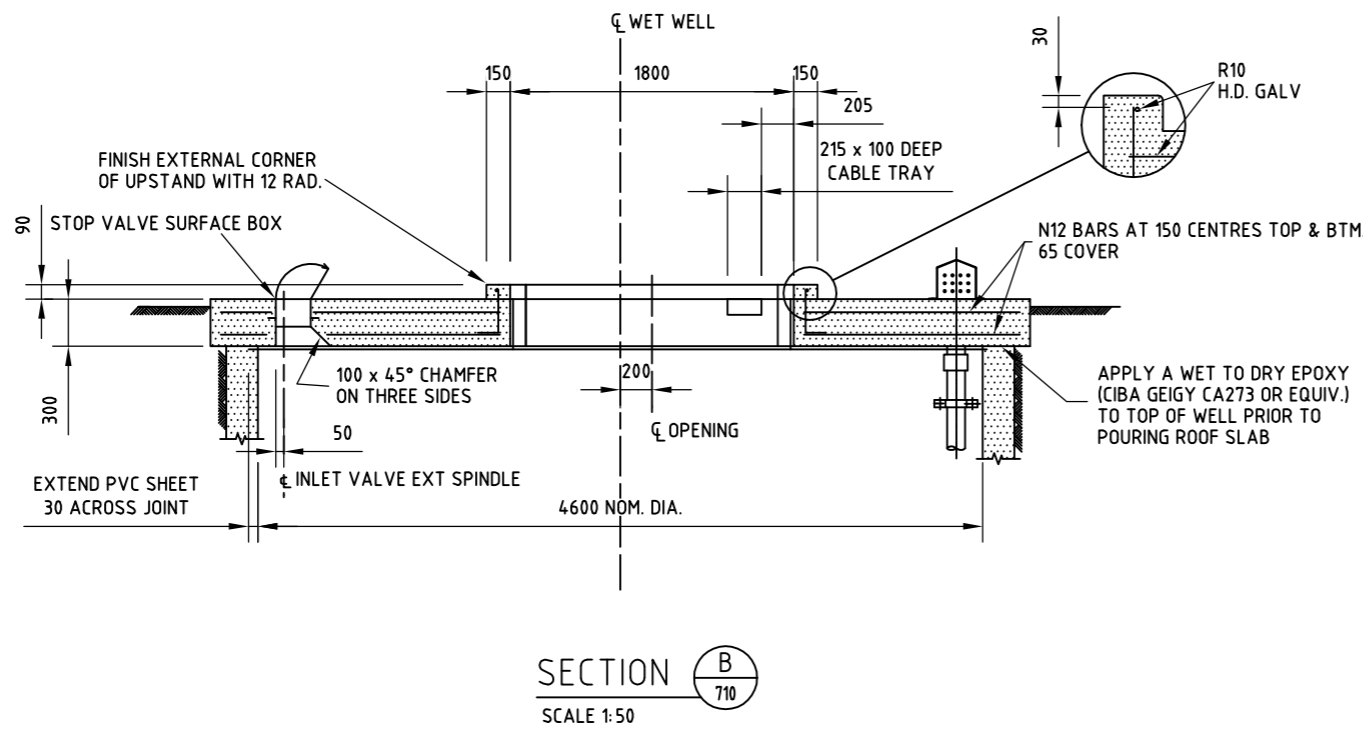
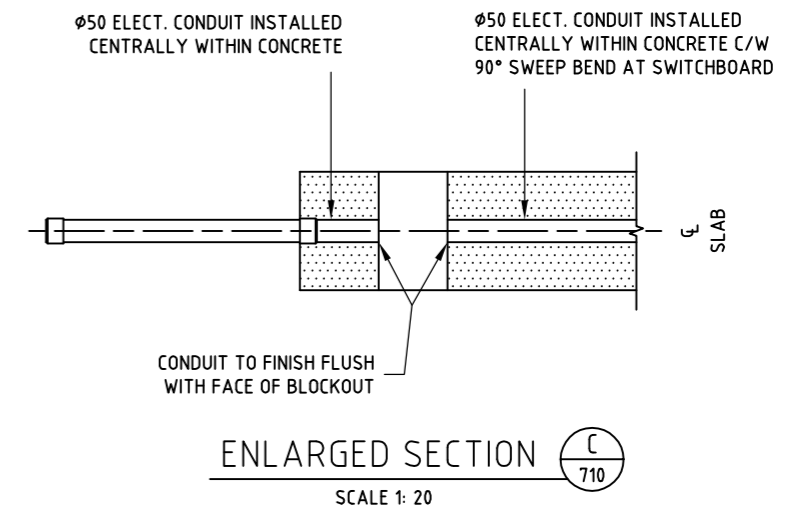
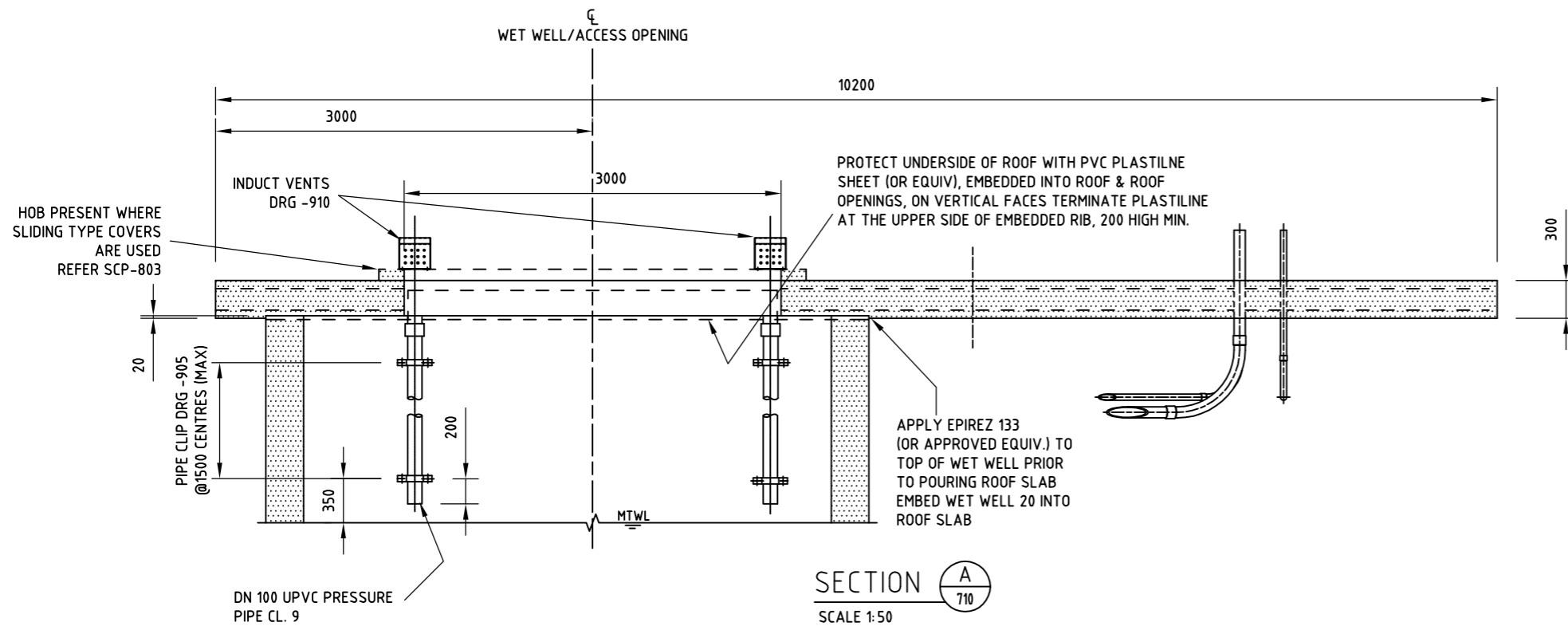


**NOTES**

1. PUMPING STATION ROOF TO BE POURED ON 200 Um POLYETHYLENE MEMBRANE (FORTECON OR EQUIV)
2. THIS DRAWING IS TO BE READ IN CONJUNCTION WITH DRAWING - 710



1	SWITCHBOARD CONCRETE PLINTH REMOVED. OVERALL ROOF SLAB DIMENSIONS MODIFIED.	S.H.	1-06-2016
	INDUCT VENTS MODIFIED.		
REV. N°	REVISION	APPROV	DATE
	Structural Assessment Michael Flynn CPEng NPER 455945 April 2016	APPROVED  MANAGER ASSET MANAGEMENT	



STANDARD CONSTRUCTION PRACTICE  
**SEWERAGE STANDARD**  
SEWAGE PUMPING STATIONS  
DN 4600 DUPLEX SPS  
CONCRETE ROOF SLAB - SECTIONS

CAD FILE NAME: SCP-711  
**SCP-711**  
ISSUED: 2016  
A3