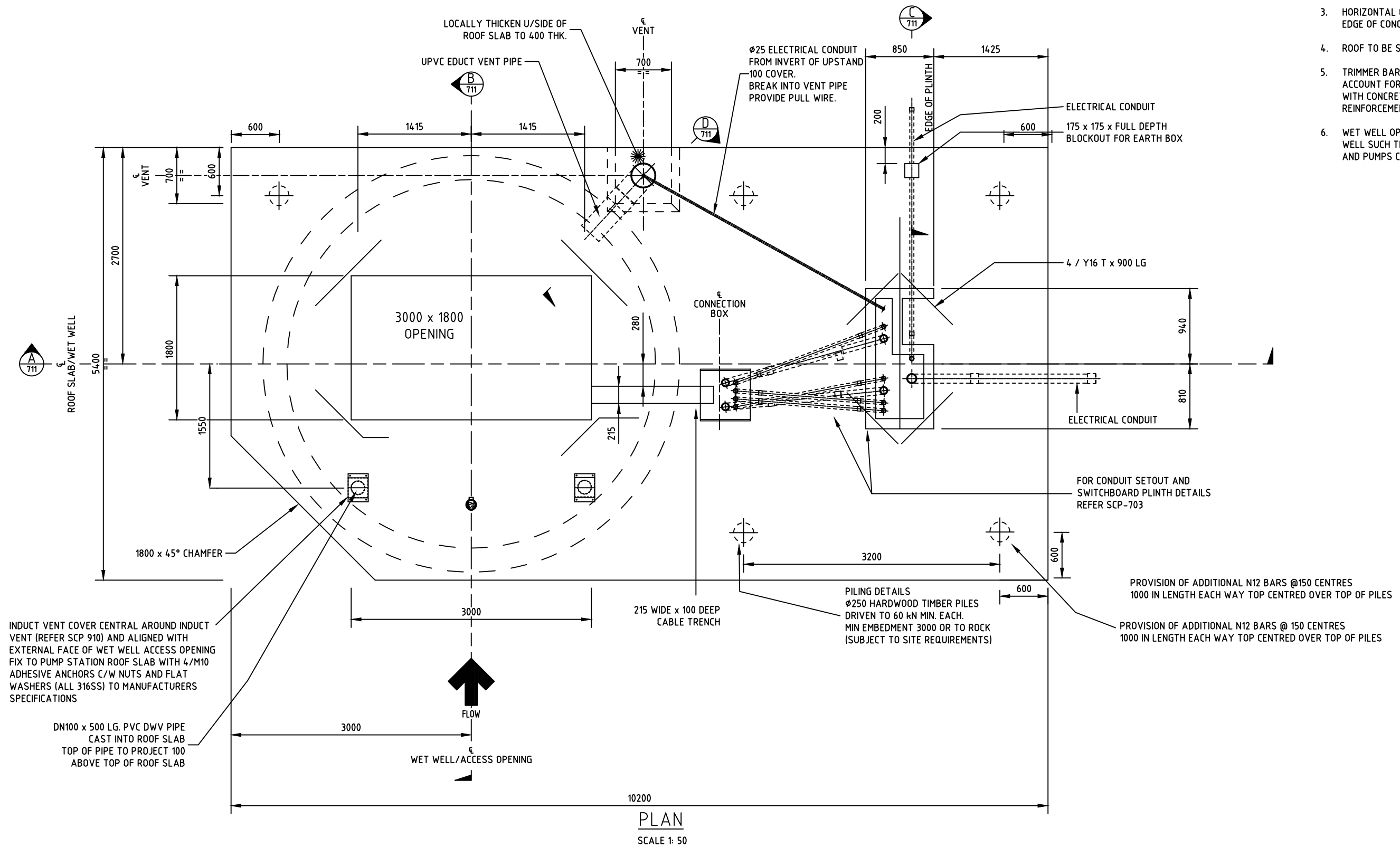


**NOTES:**

1. ALL ELECTRICAL CONDUITS TO BE H.D. ORANGE PVC
2. ALL BENDS ARE TO BE LARGE 90° SWEEP BENDS
3. HORIZONTAL CONDUITS TO EXTEND 600 MIN. PAST EDGE OF CONCRETE AND CAPPED
4. ROOF TO BE S40 CONCRETE
5. TRIMMER BARS AROUND WET WELL OPENINGS TO ACCOUNT FOR DISPLACED BARS IN ACCORDANCE WITH CONCRETE INSTITUTE OF AUSTRALIA REINFORCEMENT DETAILING HANDBOOK.
6. WET WELL OPENING TO BE OFFSET FROM CENTRE OF WELL SUCH THAT GUIDE RAILS, RISER PIPEWORK AND PUMPS CAN BE REMOVED.



**PLAN**  
SCALE 1: 50

REV. N°	REVISION	APPROV	DATE
1	ADDITION OF CONNECTION BOX. SWITCHBOARD MADE PERPENDICULAR TO SLAB. OVERALL ROOF SLAB DIMENSIONS MODIFIED. INDUCT VENTS RELOCATED TO OPPOSITE SIDE.	S.H.	1-06-2016

© COPYRIGHT HUNTER WATER CORPORATION	Structural Assessment Michael Flynn CPEng NPER 455945 April 2016	APPROVED  MANAGER ASSET MANAGEMENT
--------------------------------------	---	---



STANDARD CONSTRUCTION PRACTICE  
**SEWERAGE STANDARD**  
 SEWAGE PUMPING STATIONS  
 DN 4600 DUPLEX SPS  
 CONCRETE ROOF SLAB - PLAN

CAD FILE NAME: SCP-710

**SCP-710**

ISSUED: 2016