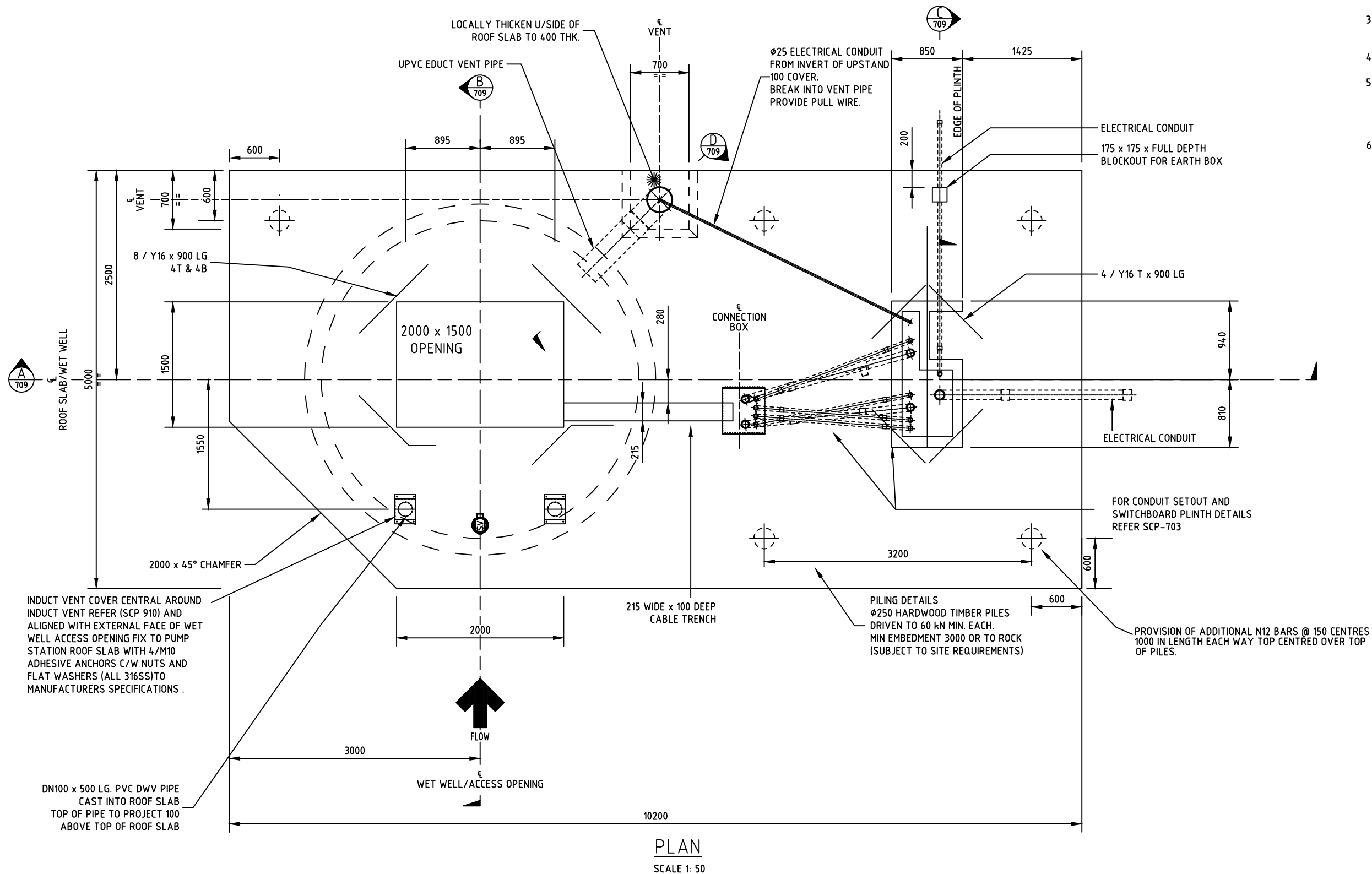


NOTES:

1. ALL ELECTRICAL CONDUITS TO BE H.D. ORANGE PVC.
2. ALL BENDS ARE TO BE LARGE 90° SWEEP BENDS.
3. HORIZONTAL CONDUITS TO EXTEND 600 MIN. PAST EDGE OF CONCRETE AND CAPPED.
4. ROOF SLAB TO BE S40 CONCRETE.
5. TRIMMER BARS AROUND WET WELL OPENINGS TO ACCOUNT FOR DISPLACED BARS IN ACCORDANCE WITH CONCRETE INSTITUTE OF AUSTRALIA REINFORCEMENT DETAILING HANDBOOK.
6. WET WELL OPENING TO BE OFFSET FROM CENTRE OF WELL SUCH THAT GUIDE RAILS, RISER PIPEWORK AND PUMPS CAN BE REMOVED.



1	ADDITION OF CONNECTION BOX. SWITCHBOARD MADE PERPENDICULAR TO SLAB. OVERALL ROOF SLAB DIMENSIONS MODIFIED. INDUCT VENTS RELOCATED TO OPPOSITE SIDE	S.H.	1-06-2016
REV. N°	REVISION	APPROV	DATE
© COPYRIGHT HUNTER WATER CORPORATION Structural Assessment Michael Flynn CPEng NPER 455945 April 2016		APPROVED MANAGER ASSET MANAGEMENT	



STANDARD CONSTRUCTION PRACTICE
SEWERAGE STANDARD
 SEWERAGE PUMPING STATIONS
 DN 3800 DUPLEX SPS
 CONCRETE ROOF SLAB - PLAN

CAD FILE NAME: SCP-708

SCP-708

ISSUED: 2016