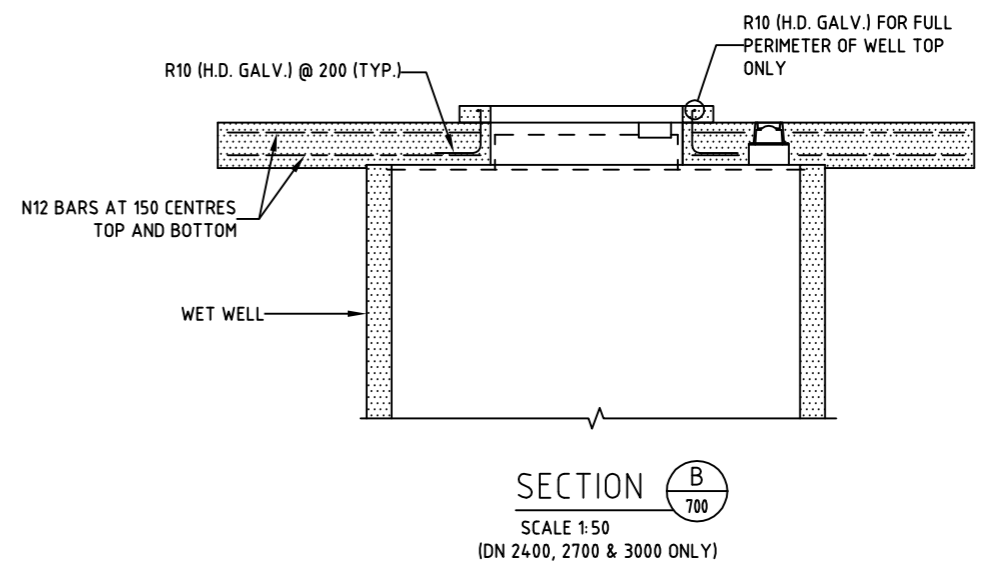
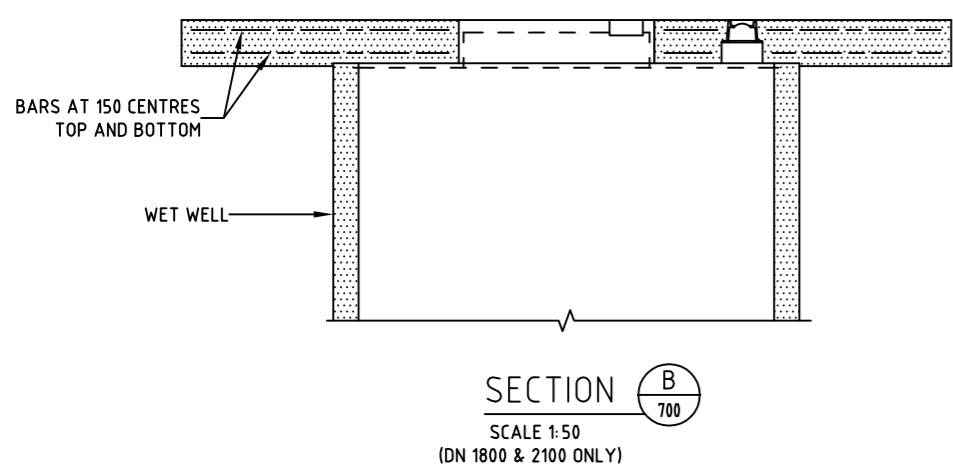
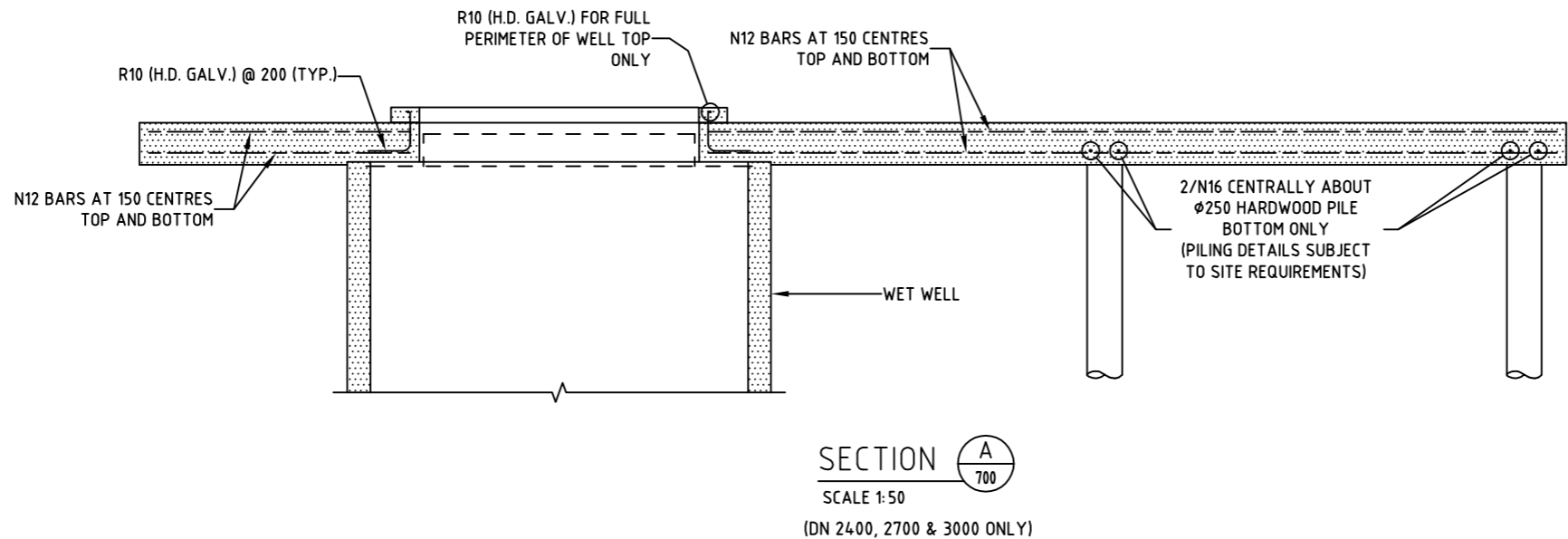


NOTES:
1. ELECTRICAL CONDUIT NOT SHOWN FOR CLARITY



0	CONSTRUCTION ISSUE	S.H.	1-06-2016
REV. N ^o	REVISION	APPROV	DATE
© COPYRIGHT HUNTER WATER CORPORATION	Structural Assessment Michael Flynn CPEng NPER 455945 April 2016	APPROVED MANAGER ASSET MANAGEMENT	



STANDARD CONSTRUCTION PRACTICE
SEWERAGE STANDARD
SEWERAGE PUMPING STATIONS
ROOF SLAB REINFORCEMENT
SECTIONS

CAD FILE NAME:	SCP-702
SCP-702	
ISSUED:	2016
	A3