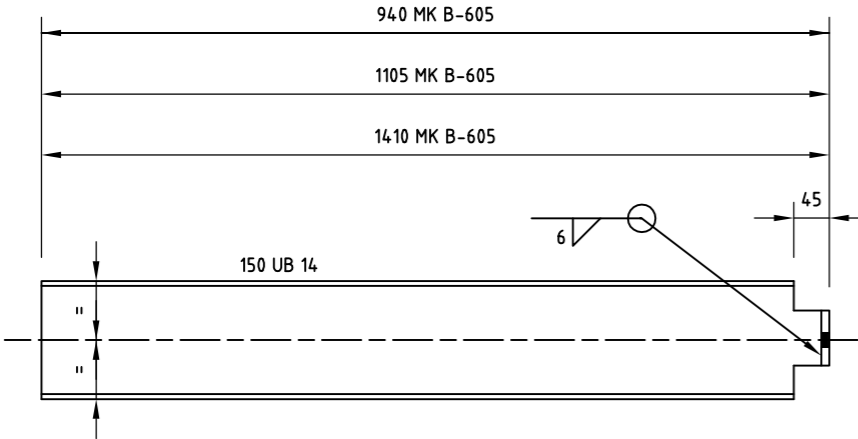


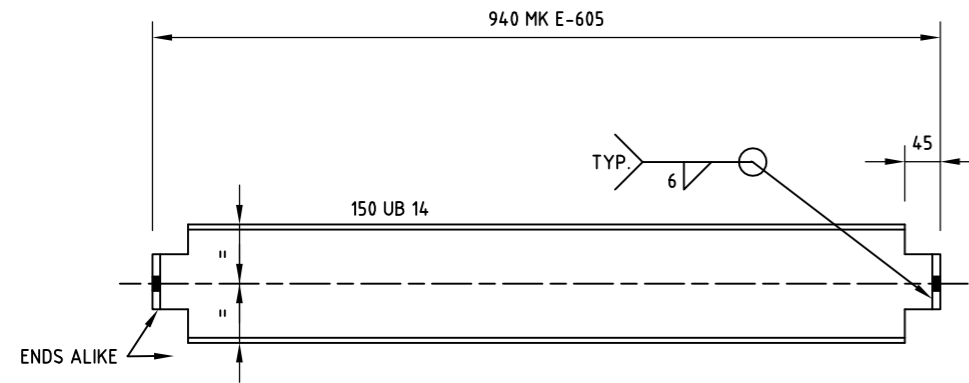
**BEAM MK A-605**

MATERIAL : STRUCTURAL STEEL GRADE 300PLUS



**BEAM MK B-605 AS NOTED  
BEAM MK C-605 AS NOTED  
BEAM MK D-605 AS NOTED**

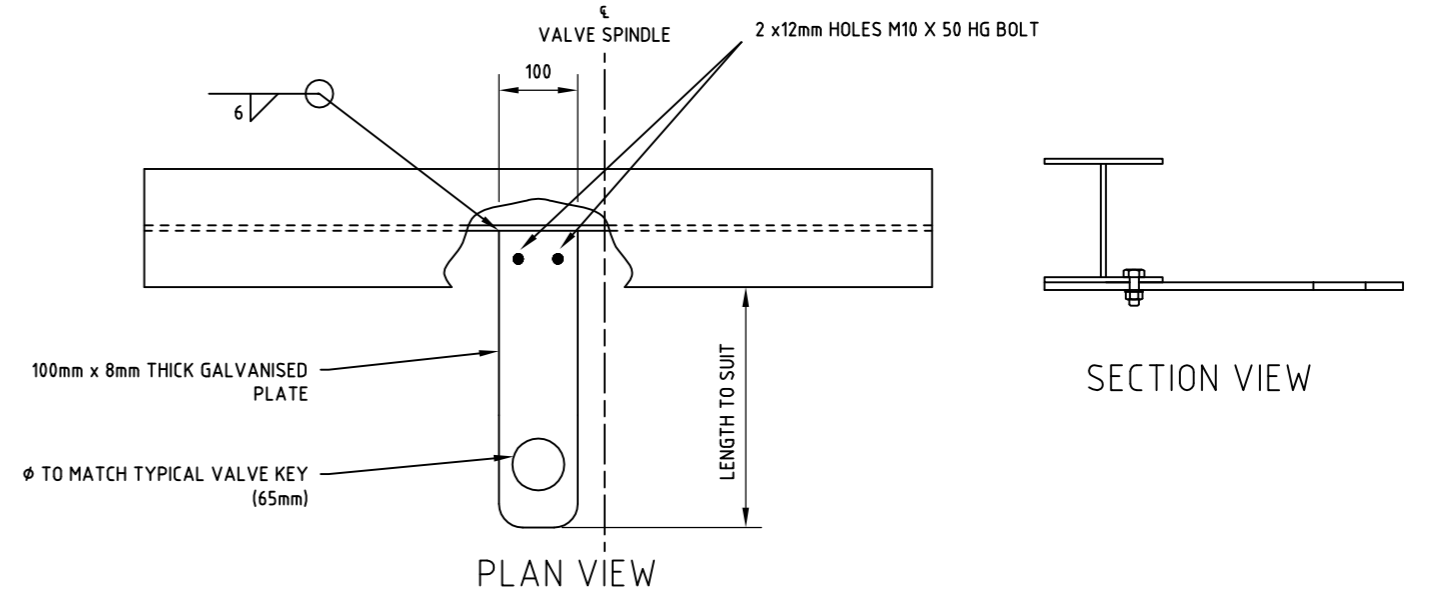
MATERIAL : STRUCTURAL STEEL GRADE 300PLUS



**BEAM E-605 AS NOTED  
BEAM F-605 AS NOTED**

MATERIAL : STRUCTURAL STEEL GRADE 300PLUS

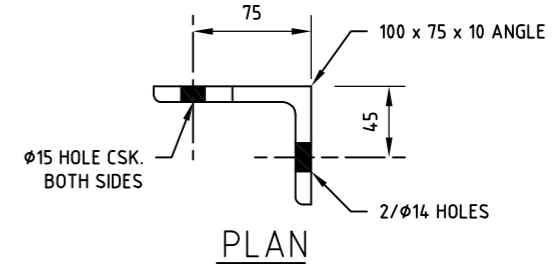
**NOTES:**  
1. ALL STEELWORK TO BE HOT DIPPED GALVANISED AFTER FABRICATION.



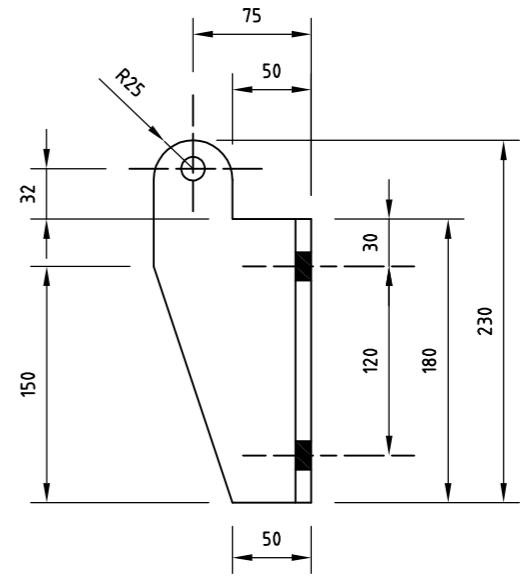
**PLAN VIEW**

**SECTION VIEW**

**VALVE SPINDLE SUPPORT GUIDE**  
TO BE LOCATED DIRECTLY ABOVE VALVE SPINDLE



**PLAN**



**LOCKING BRACKET MK G-605**

MATERIAL : STRUCTURAL STEEL GRADE 300PLUS

2	ADDITION OF VALVE SPINDLE GUIDE	S.H.	1-06-2016
1	DIMENSION OF LOCKING BRACKET CHANGED	J.R.C.	26-3-99
REV. N°	REVISION	APPROV	DATE
APPROVED		MANAGER ASSET MANAGEMENT	



STANDARD CONSTRUCTION PRACTICE  
**SEWERAGE STANDARD**  
SEWAGE PUMPING STATIONS  
RECTANGULAR VALVE PIT COVERS, BEAMS,  
LOCKING BRACKET & VALVE SPINDLE SUPPORT GUIDE

CAD FILE NAME: SCP-605  
**SCP-605**  
ISSUED: 2016