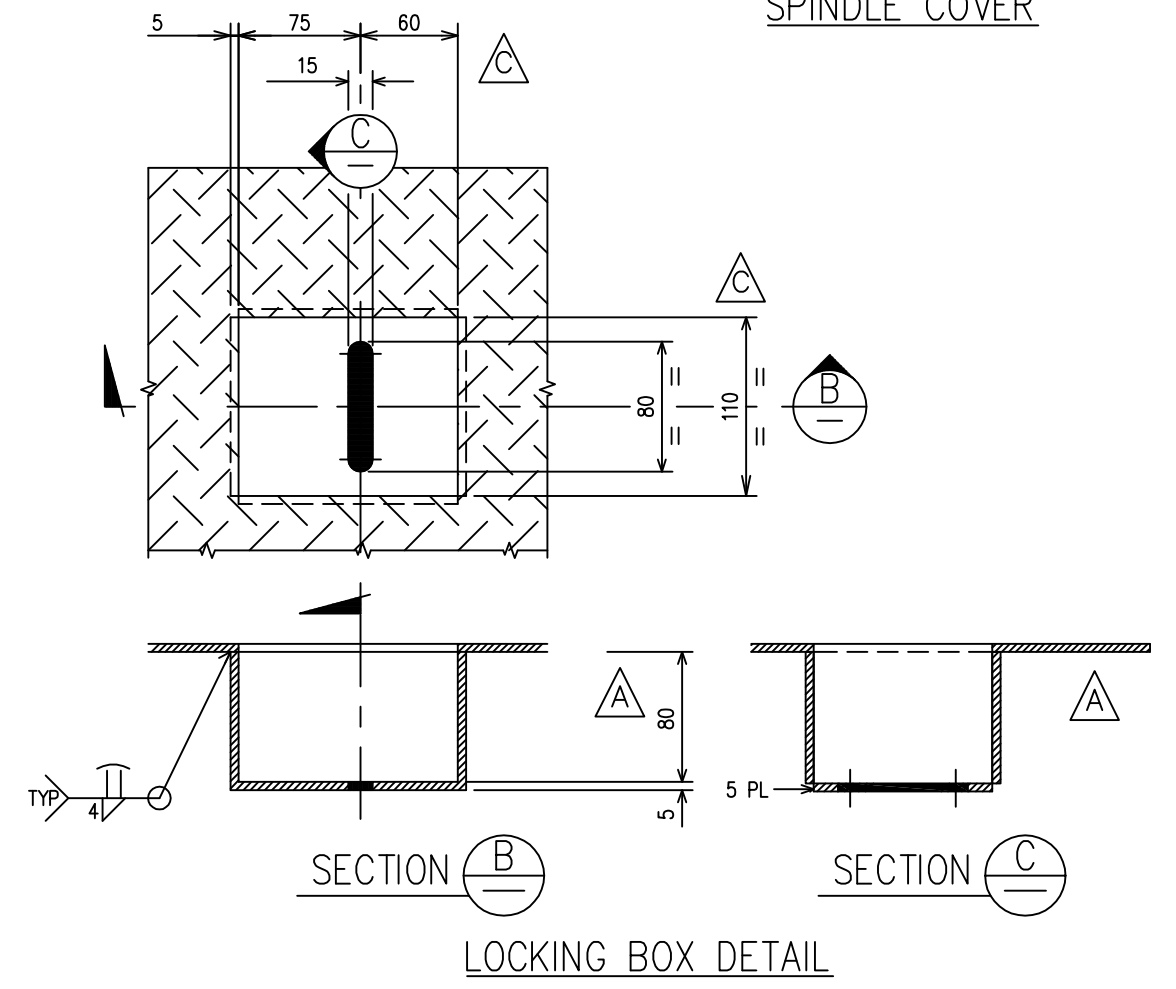
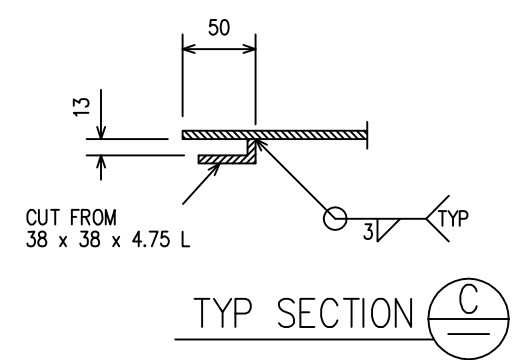
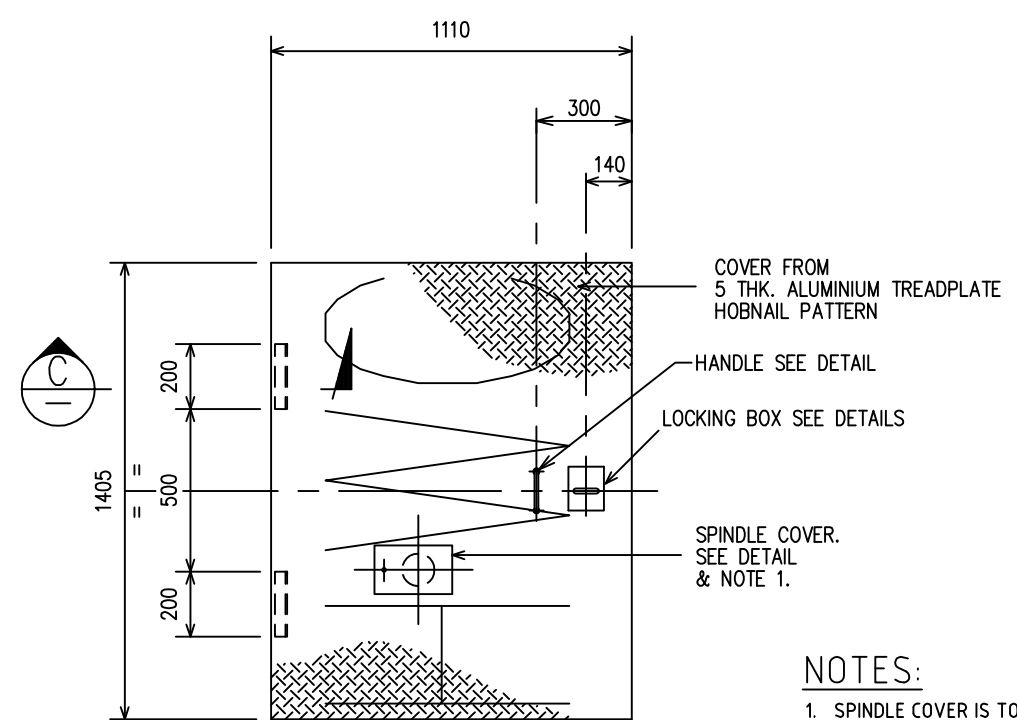


COVER PLATE MK A-604 AS NOTED
 COVER PLATE MK B-604 AS NOTED
 MATERIAL : ALUMINIUM ALLOY

SPINDLE COVER.
 SEE DETAIL
 & NOTE 1.



NOTES:
 1. SPINDLE COVER IS TO BE LOCATED DIRECTLY ABOVE VALVE SPINDLE AFTER CONSTRUCTION.
 2. ALL COVER PLATES TO BE PERMANENTLY MARKED WITH THE LETTERS "HWC". LETTERS TO BE ROUTED AT TYPICAL 2mm DEPTH.

COVER PLATE MK C-604

4	NOTE 2 AMENDED AND TITLE BLOCK UPDATED	S.H.	01-06-16
3	LOCK BOX PLAN DIMENSIONS ALTERED	J.R.G.	10-12-01
2	LETTER MARKING ADDED	J.R.G.	25-7-01
1	LOCKING BOX DETAIL AMENDED	J.R.G.	26-3-99
REV. N°	REVISION	APPROVED	DATE
© COPYRIGHT HUNTER WATER CORPORATION		APPROVED MANAGER ASSET MANAGEMENT	



STANDARD CONSTRUCTION PRACTICE
SEWERAGE STANDARD
 SEWAGE PUMPING STATIONS
 RECTANGULAR VALVE PIT COVER
 DETAILS

CAD FILE NAME: SCP-604
SCP-604
 ISSUED: 2016 A3