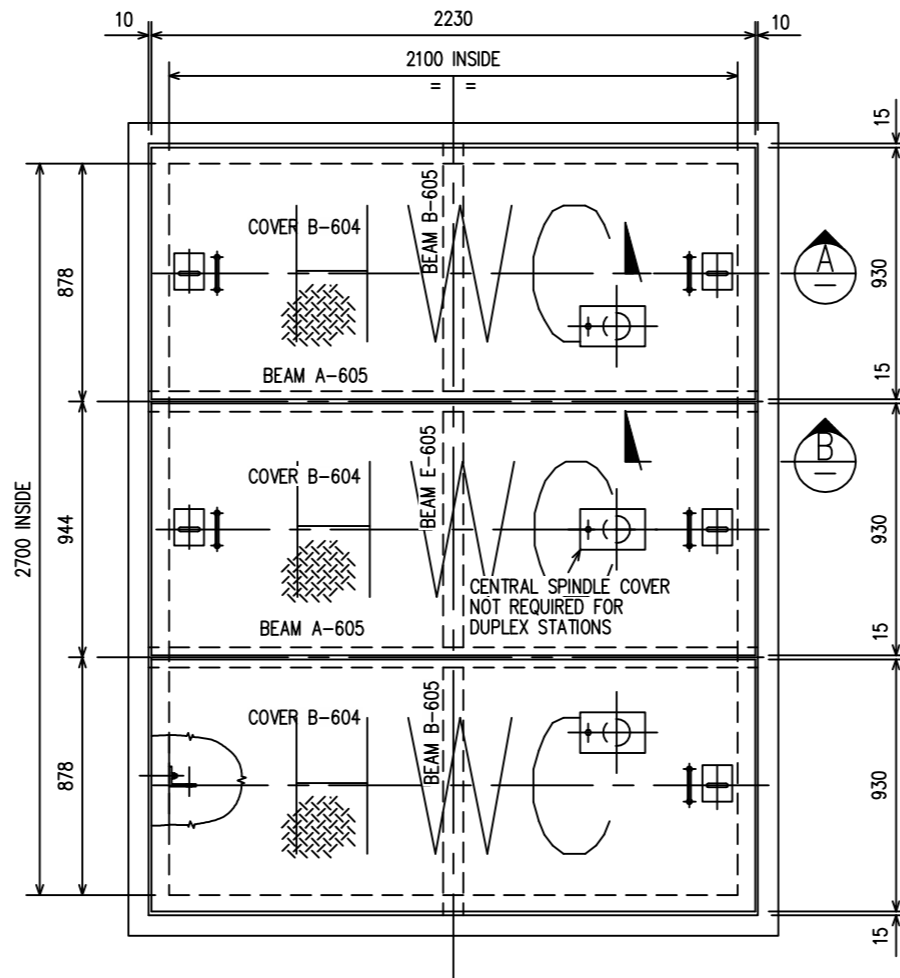
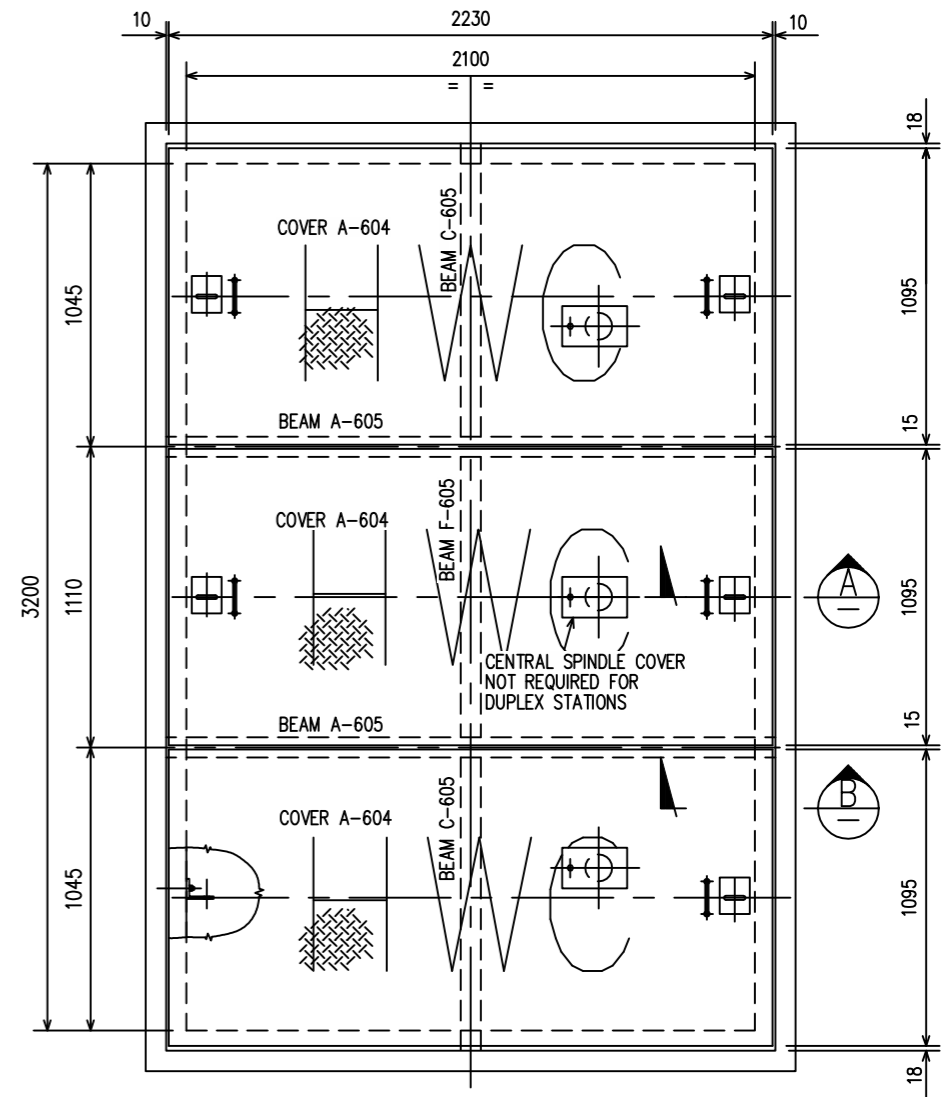


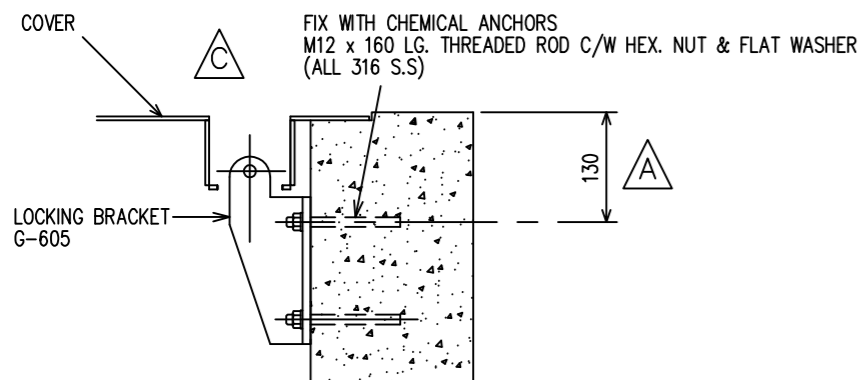
2700 x 2100 VALVE PIT TYPE 1
MARKING PLAN



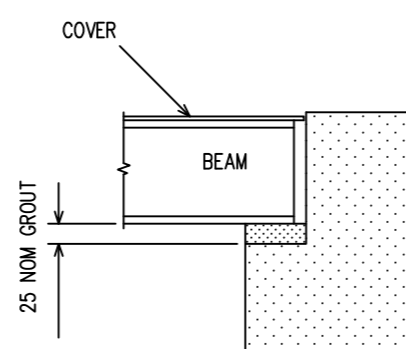
2700 x 2100 VALVE PIT TYPE 2
MARKING PLAN



3200 x 2100 VALVE PIT TYPE 3
MARKING PLAN



TYPICAL SECTION A-A



TYPICAL SECTION B-B

NOTES:

- SPINDLE COVER IS TO BE LOCATED DIRECTLY ABOVE VALVE SPINDLE AFTER CONSTRUCTION.
- ALL COVER PLATES TO BE PERMANENTLY MARKED WITH THE LETTERS "HWC" LETTERS TO BE ROUTED AT TYPICAL 2mm DEPTH.



4	NOTE 2 AMENDED AND TITLE BLOCK UPDATED	S.H.	01-06-16
3	LOCK BOX ALTERATIONS	J.R.G.	10-12-02
2	LETTER MARKING ADDED	J.R.G.	01-07-02
1	DIMENSION OF LOCKING BRACKET CHANGED	J.R.G.	26-3-99
REV. N°	REVISION	APPROVED	DATE

© COPYRIGHT HUNTER WATER CORPORATION.

APPROVED

MANAGER
ASSET MANAGEMENT



STANDARD CONSTRUCTION PRACTICE
SEWERAGE STANDARD
SEWAGE PUMPING STATIONS
RECTANGULAR VALVE PIT COVER
DETAILS

CAD FILE NAME: SCP-603

SCP-603

ISSUED: 2016

A3