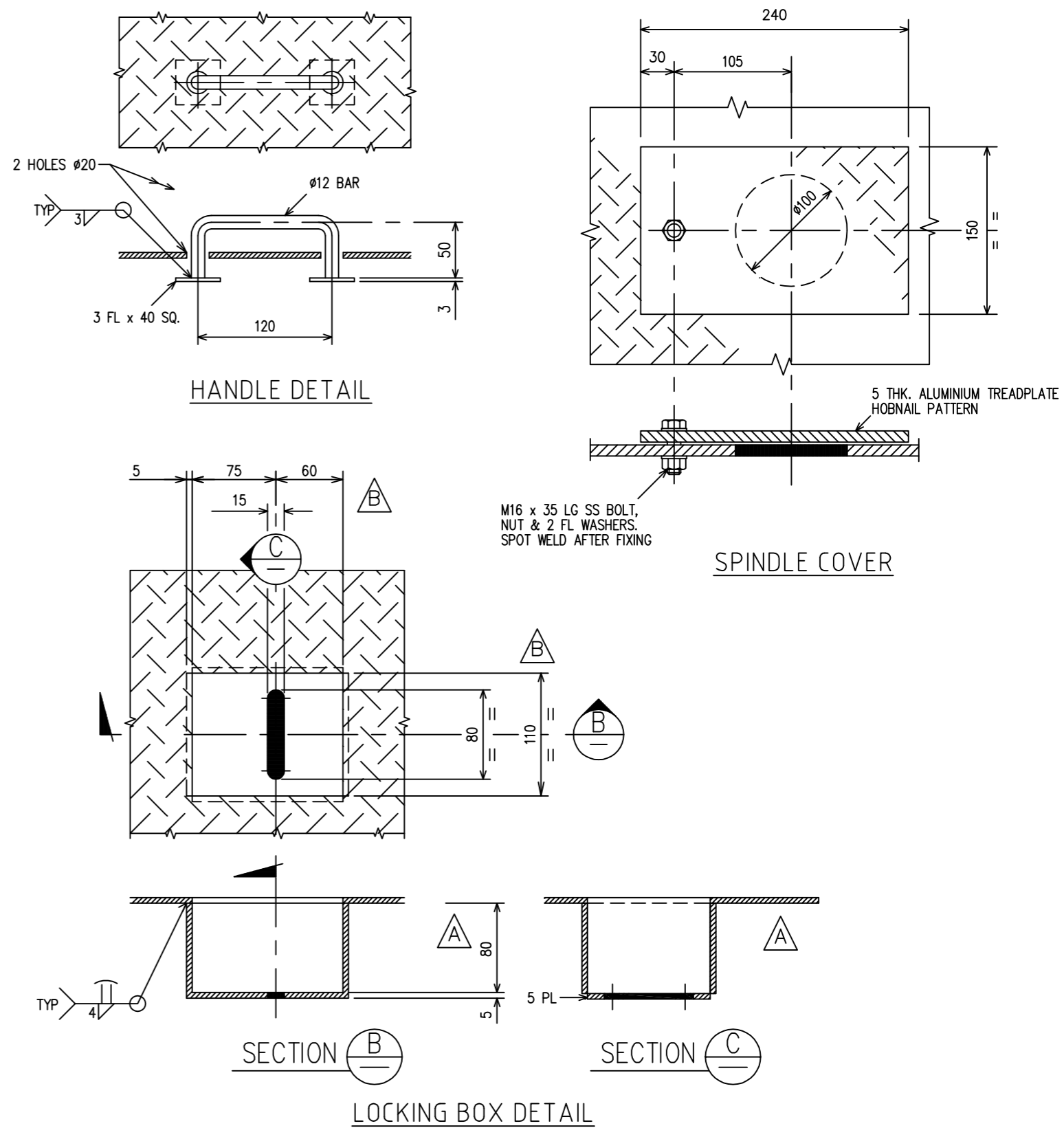
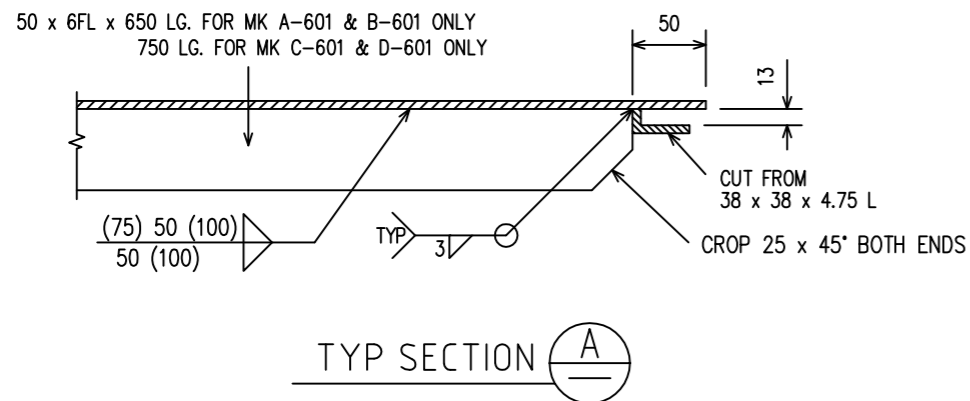


- COVER PLATE MK A-601 As Noted
- COVER PLATE MK B-601 As Noted
- COVER PLATE MK C-601 As Noted
- COVER PLATE MK D-601 As Noted

MATERIAL: ALUMINIUM ALLOY



NOTES:

1. SPINDLE COVER IS TO BE LOCATED DIRECTLY ABOVE VALVE SPINDLE AFTER CONSTRUCTION.
2. SEE NOTE 1 DRG SCP-600 RE FABRICATION OF ITEMS DETAILED ON THIS DRAWING
3. ALL COVER PLATES TO BE PERMANENTLY MARKED WITH THE LETTERS "HWC" LETTERS TO BE ROUTED AT TYPICAL 2mm DEPTH.



|                                       |  |   |          |
|---------------------------------------|--|---|----------|
| 3                                     | NOTE 3 AMENDED AND TITLE BLOCK UPDATE, VALVE PIT COVERS AND LOCKING BOX POSITION UPDATED TO SUIT LADDER POSITION | S.H.                                    | 01-06-16 |
| 2                                     | LOCK BOX PLAN DIMENSIONS ALTERED   | J.R.G.                                  | 10-12-02 |
| 1                                     | LOCK BOX DIMENSIONS ALTERED - LETTERING ADDED  | J.R.G.                                  | 01-07-02 |
| REV. N°                               | REVISION   | APPROVED                                | DATE     |
| © COPYRIGHT HUNTER WATER CORPORATION. |  | APPROVED<br>MANAGER<br>ASSET MANAGEMENT |          |



STANDARD CONSTRUCTION PRACTICE  
**SEWERAGE STANDARD**  
SEWAGE PUMPING STATIONS  
CIRCULAR VALVE PIT COVER  
DETAIL

CAD FILE NAME: SCP-601

**SCP-601**

ISSUED: 2016

A3