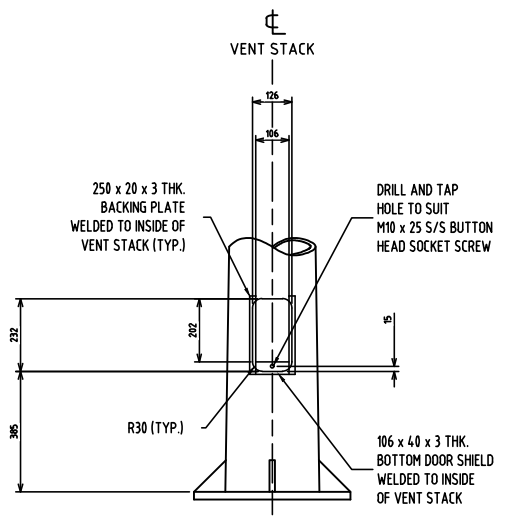
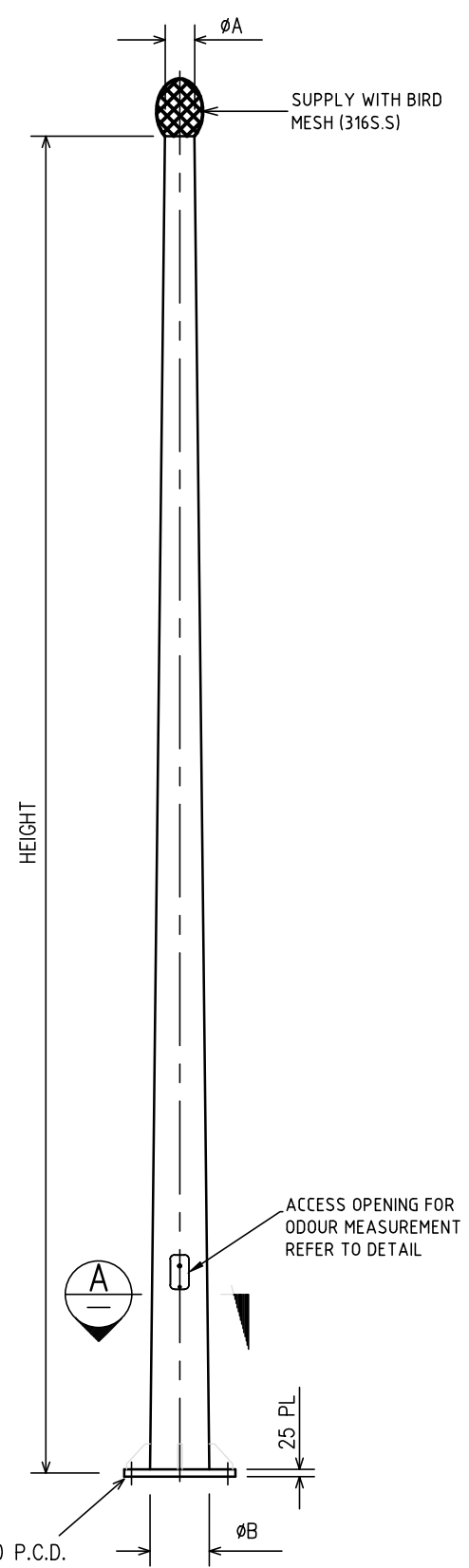


VENT STACK ACCESS OPENING GALVANISED STEEL COVER PLATE DETAIL

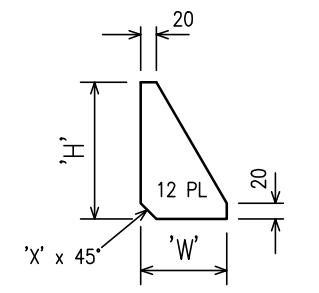
NOTE: ACCESS COVER PLATE TO BE ATTACHED TO VENT STACK WITH M10 x 25 GRADE 316 S/S BUTTON HEAD SOCKET SCREW AND SEALED WITH 2mm GASKET OR SILICON ON SITE.



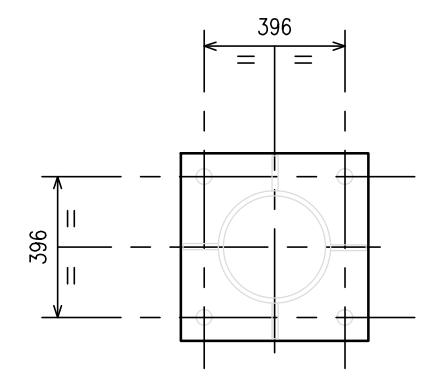
VENT STACK ACCESS OPENING DETAIL



GALVANISED VENT SHAFT

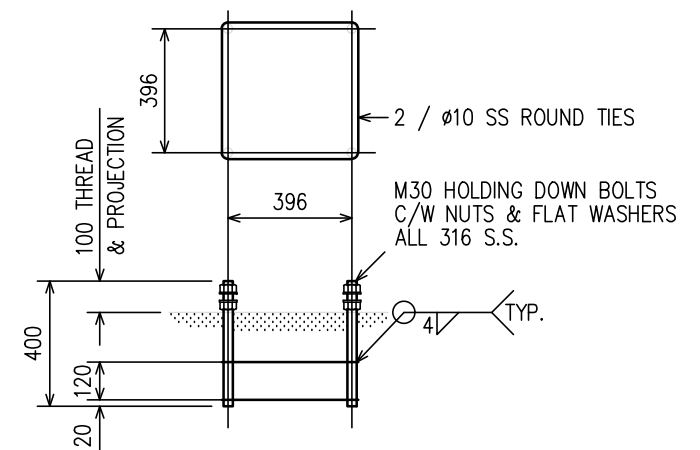


GUSSET DETAIL



SECTION A

HEIGHT	TOP ØA	BOTTOM ØB	GUSSETS			MARK
			W	H	X	
6m	150	225	NOT REQ'D	NOT REQ'D	NOT REQ'D	A-1003
	225	300	NOT REQ'D	NOT REQ'D	NOT REQ'D	B-1003
	300	375	NOT REQ'D	NOT REQ'D	NOT REQ'D	C-1003
9m	150	262	110	175	20	D-1003
	225	337	70	120	20	E-1003
	300	412	35	120	10	F-1003
11.85m	150	298	90	120	20	G-1003
	225	373	55	120	20	H-1003
	300	412	35	120	10	J-1003



SHAFT H.D. BOLT DETAIL

NOTES:

- REFER TO HUNTER WATER APPROVED PRODUCTS REGISTER FOR APPROVED EDUCT VENT SHAFTS.
- ALL STAINLESS STEEL TO BE PASSIVATED BEFORE INSTALLATION IN ACCORDANCE WITH TECHNICAL SPECIFICATION STS 600.

2	ACCESS OPENING DETAILS ADDED AND NOTE 2	S.H.	01-07-17
1	TITLE BLOCK UPDATED AND NOTES AMENDED	S.H.	01-06-16
A	NOTE 1. AMENDED. BIRD MESH TO VENT OUTLET ADDED.	J.R.G.	26-3-99
REV. N°	REVISION	APPROVED	DATE

© COPYRIGHT HUNTER WATER CORPORATION.

APPROVED

APPROVED

MANAGER
ASSET MANAGEMENT



STANDARD CONSTRUCTION PRACTICE SEWERAGE STANDARD

EDUCT VENT SHAFT AND HOLDING DOWN BOLT DETAILS

CAD FILE NAME: SCP-1003

HWCS SCP-1003

ISSUED: 2017

A3