

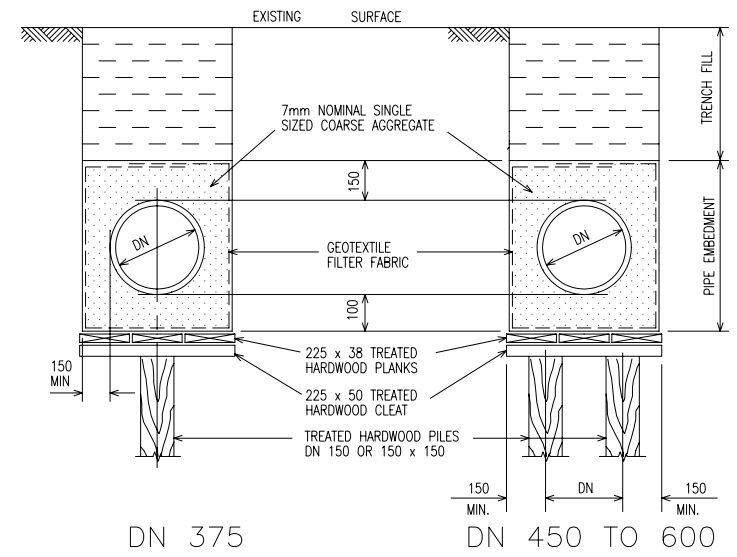
DN 100 TO 375      DN 450 TO 600

**TYPE 7 SUPPORT**

FOR DICL PIPEWORK

UPVC RISING MAIN DN	L <sub>b</sub>	L <sub>c</sub>
100	75	100
150	100	150
200	100	150
250	100	150
300	100	200

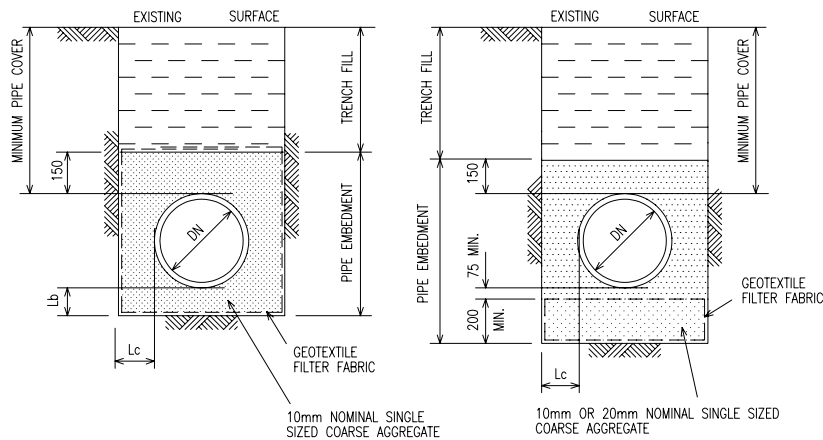
DICL RISING MAIN DN	L <sub>b</sub>	L <sub>c</sub>
100	75	100
150 - 600	75	150



DN 375      DN 450 TO 600

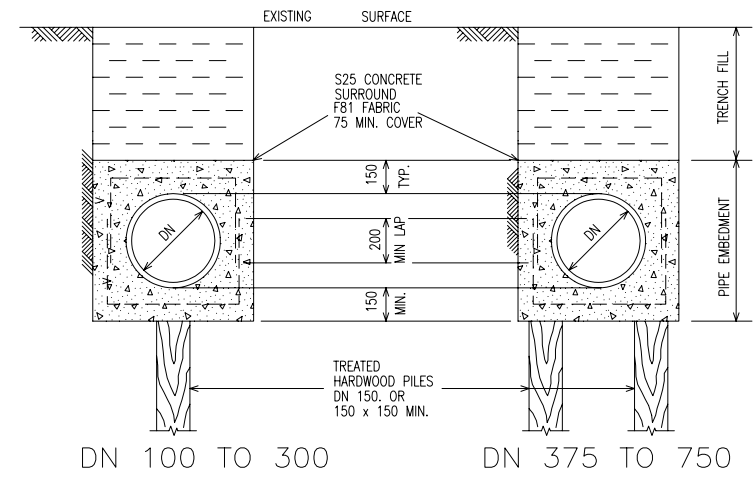
**TYPE 8 SUPPORT**

FOR STEEL PIPEWORK FBPE COATED AND LINED



**GEOTEXTILE SURROUND**

**GEOTEXTILE PILLOW**



DN 100 TO 300      DN 375 TO 750

**TYPE 9 SUPPORT**

**NOTES:**

1. THIS DRAWING SHALL BE READ IN CONJUNCTION WITH SPECIFICATION STS-403
2. FOR PIPE EMBEDMENT AND TRENCH FILL MINIMUM COMPACTION AND MIN. PIPE COVER SEE DWG. SCP-1000.

REV. N°	REVISION	APPROVED	DATE

**HUNTER WATER CORPORATION**  
A.C.N. 053 102 837



STANDARD CONSTRUCTION PRACTICE  
**SEWERAGE STANDARD**  
PIPE SUPPORT AND TRENCH FILL  
IN BAD GROUND  
FOR SEWER RISING MAINS UP TO DN 600

CAD FILE NAME: SCP-1001  
HWCS  
**SCP-1001**  
ISSUED: 1997      A3

© COPYRIGHT HUNTER WATER CORPORATION LIMITED.

APPROVED  
MANAGER  
CEC CONSULTING ENGINEERS

APPROVED  
MANAGER  
PLANNING AND DEVELOPMENT