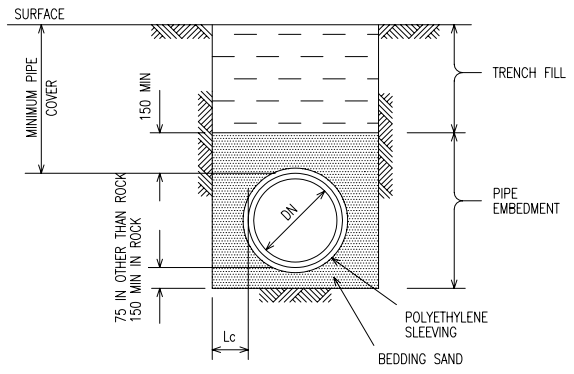


PIPE EMBEDMENT MINIMUM COMPACTION		
	DENSITY INDEX	
	NON TRAFFIC	TRAFFIC
DICL PIPE	60%	80%
UPVC PIPE	70%	80%

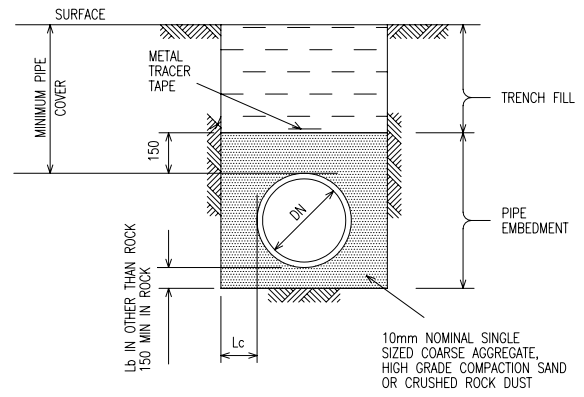
TRENCH FILL MINIMUM COMPACTION		
TRENCH FILL	NON TRAFFIC	TRAFFIC
	GRANULAR DENSITY INDEX	70%
NON GRANULAR DRY DENSITY RATIO	95%	100%

PIPELINE LOCATION	MINIMUM COVER mm	
	DICL	UPVC
AREAS NOT SUBJECT TO VEHICULAR LOADS	450	450
AREAS SUBJECT TO VEHICULAR LOADS a) NOT IN A ROADWAY eg FOOTPATH, PUBLIC RESERVE b) IN LOCAL ROADWAY c) IN MAIN ROADWAY	600	600
	600	750
	750	750
AREAS OF CONCRETE ENCASED PIPELINE	WHERE COVER LESS THAN THE ABOVE IS REQUIRED THE PIPE SHALL HAVE CONCRETE SURROUND	

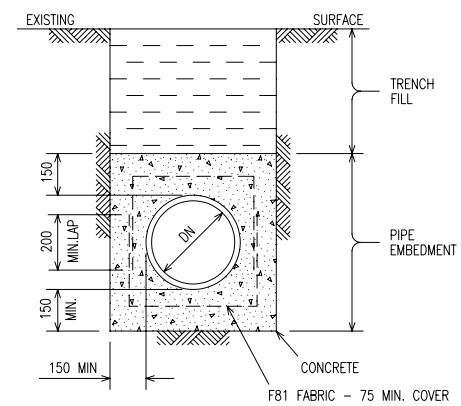
UPVC RISING MAIN DN	L _b	L _c	DICL RISING MAIN DN	L _c
100	75	100	100	100
150	100	150	150-600	150
200	100	150		
250	100	150		
300	100	200		



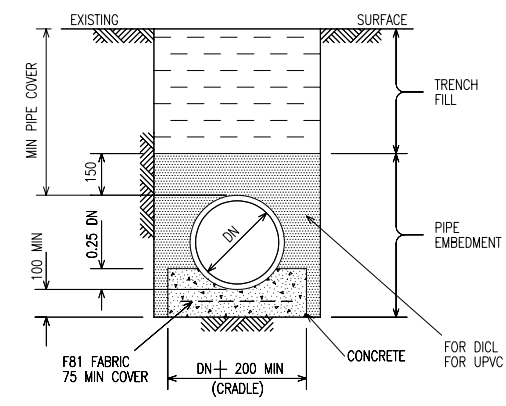
TYPE 1 SUPPORT
DICL PIPES



TYPE 2 SUPPORT
UPVC PIPE



TYPE 3 & 4 SUPPORT
PLAIN CONCRETE (TYPE 3)
REINFORCED CONCRETE (TYPE 4)
DICL & UPVC PIPE



TYPE 5 & 6 SUPPORT
PLAIN CONCRETE (TYPE 5)
REINFORCED CONCRETE (TYPE 6)

FOR DICL PIPES - BEDDING SAND
FOR UPVC PIPES - 10mm NOMINAL SINGLE SIZED COARSE AGGREGATE, HIGH GRADE COMPACTION SAND OR CRUSHED ROCK DUST

NOTES:

1. THIS DRAWING SHALL BE READ IN CONJUNCTION WITH STS-403

REV. N°	REVISION	APPROVED	DATE

APPROVED
MANAGER
CEC CONSULTING ENGINEERS

APPROVED
MANAGER
PLANNING AND DEVELOPMENT

HUNTER WATER CORPORATION
A.C.N. 053 102 837

STANDARD CONSTRUCTION PRACTICE
SEWERAGE STANDARD

PIPE SUPPORT AND TRENCH FILL
FOR SEWER RISING MAINS UP TO DN 600

CAD FILE NAME: SCP-1000

HWCS
SCP-1000

ISSUED: 1997 A3