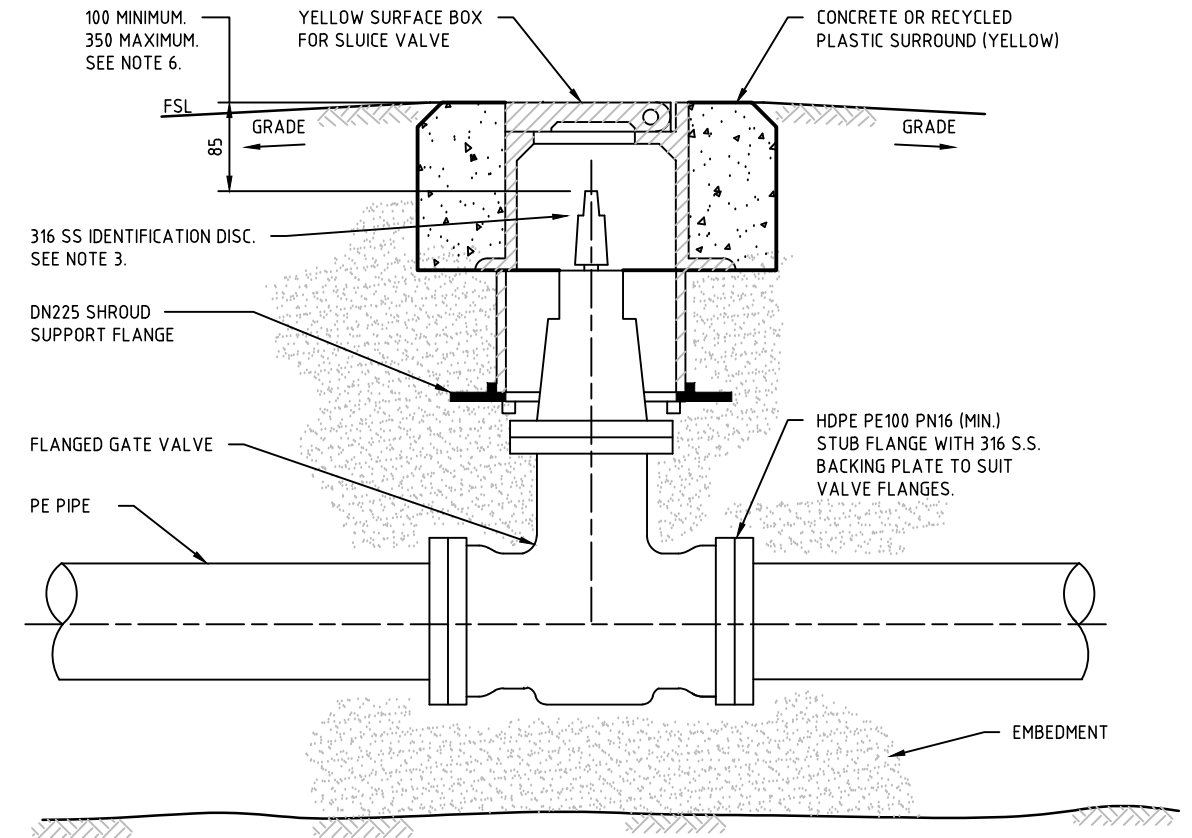


TYPICAL SHROUD ASSEMBLY FOR GATE VALVES
LAID DEEPER THAN STANDARD DEPTH

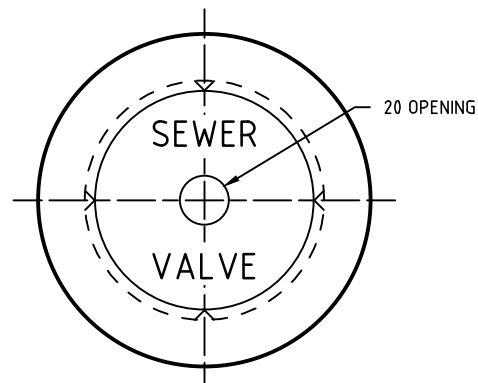
(FOOTWAY INSTALLATION SHOWN)



ELEVATION
TYPICAL INSTALLATION OF VALVES
(FOOTWAY INSTALLATION AND GATE VALVE SHOWN)
LAID STANDARD DEPTHS

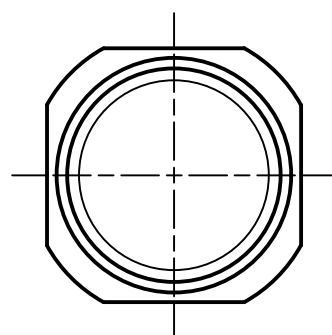
NOTES:

1. ALL DIMENSIONS IN MILLIMETRES UNLESS OTHERWISE NOTED.
2. INTEGRAL WELDED VALVE MAY BE USED WITH APPROVAL OF WATER AGENCY.
3. INSTALL 316 SS IDENTIFICATION DISC LABELLED "SEWER VALVE" IN SURFACE BOX COVERS TO BE YELLOW COLOUR, COLOUR TO BE INTEGRAL TO COVER.
4. TO PREVENT TRANSFER OF TRAFFIC LOAD TO THE MAIN, ENSURE PVC SHROUD PIPE AND SHROUD SUPPORT. DO NOT COME IN CONTACT WITH VALVE OR HYDRANT FLANGES. USE A SUPPORT FLANGE (REVERSED TOP FLANGE - ASPHALTIC/CONCRETE PAVEMENT TYPE) TO SUPPORT SHROUD PIPE.
5. INSTALL EXTENSION SPINDLE WHERE DEPTH FROM SURFACE TO TOP OF VALVE EXCEEDS 350.
6. DEPTH OF MAIN MAY BE LOCALLY INCREASED TO ACHIEVE REQUIRED MINIMUM VALVE SPINDLE COVER.
7. TOP FLANGE NOT REQUIRED WITH RECYCLED PLASTIC/CAST IRON INTEGRAL HYDRANT COVER/SURROUND.
8. VALVES TO BE CLOCKWISE CLOSING IN ACCORDANCE WITH HWC VERSION OF WSA-PS-260.



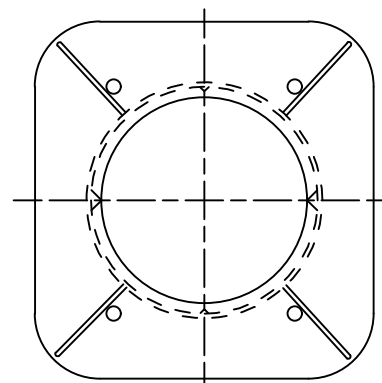
PLAN
DISC

FOR EXTENSION SPINDLE BELOW
ASPHALT/CONCRETE PAVEMENT



PLAN
COLLAR

FOR JOINING PVC
SHROUD PIPES



PLAN

WIDE TOP FLANGE
FOR USE BELOW ASPHALT/CONCRETE
PAVEMENT OR (INVERTED) AS A SHROUD
SUPPORT FLANGE

TYPICAL FITTINGS USED AS PART OF SHROUD ASSEMBLY

WITH ACKNOWLEDGEMENT TO



PRESSURE SEWERAGE CODE OF AUSTRALIA

TYPICAL VALVE INSTALLATION
SHROUD AND FITTINGS ASSEMBLY

NOT TO SCALE

PSS-1005-V

ISSUED 2017

VERSION 2.0

© COPYRIGHT