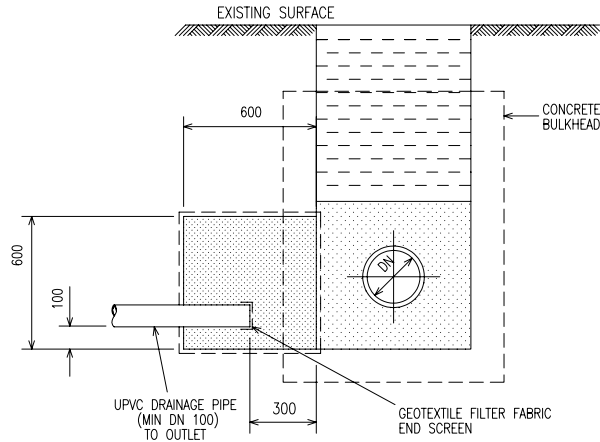
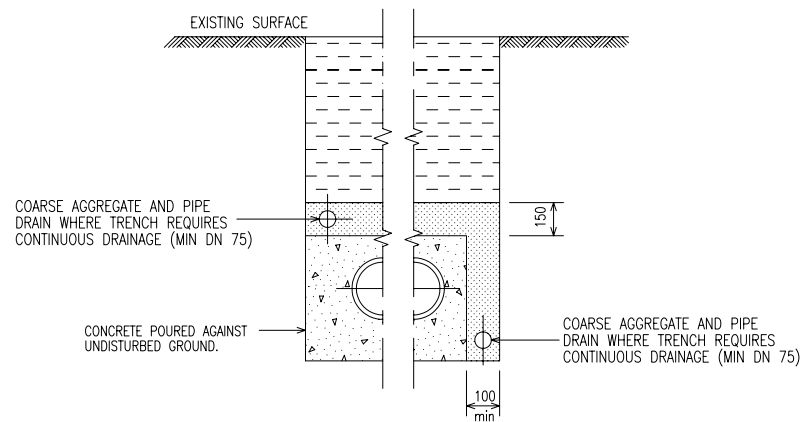


ELEVATION



END ELEVATION

TYPICAL TRENCH
DRAINAGE OF PIPE TRENCHES



TRENCH DRAINAGE
AT CONCRETE ENCASEMENT/STABILIZATION

NOTES:

1 THIS DRAWING SHALL BE READ IN CONJUNCTION WITH SPECIFICATION STS-401

REV. N°	REVISION	APPROVED	DATE

HUNTER WATER CORPORATION
A.C.N. 053 102 837



STANDARD CONSTRUCTION PRACTICE
WATER STANDARD

TRENCH DRAINAGE
FOR DN 100 TO 750 MAINS

CAD FILE NAME: WCP-204

HWCS
WCP-204

ISSUED: 1997

A3